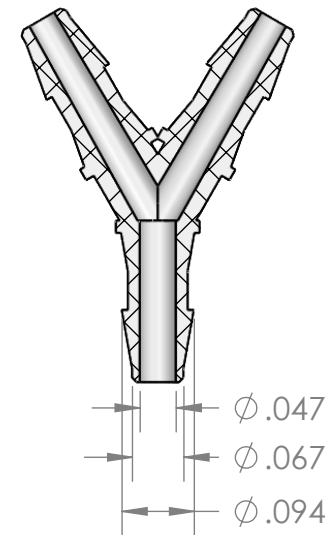


SECTION A-A



PROPRIETARY AND CONFIDENTIAL

Description

THE INFORMATION CONTAINED IN THIS DRAWING IS THE SOLE PROPERTY OF INDUSTRIAL SPECIALTIES MFG. AND IS MED SPECIALITES. ANY REPRODUCTION IN PART OR AS A WHOLE WITHOUT THE WRITTEN PERMISSION OF INDUSTRIAL SPECIALTIES MFG. AND IS MED SPECIALITES IS PROHIBITED.

1/16" Hose Barb Y Connector, High Pressure Barb Style, Polypropylene

NAME DATE
DRAWN BY: M.E. 3/6/2019

PART#
Y-116HP-PP

REV
1

SHEET 1 OF 1

ISM Industrial Specialties Mfg. & IS MED Specialties (ISM)

SCALE: 4:1

industrialspec.com | 800-781-8486

DO NOT SCALE DRAWING