



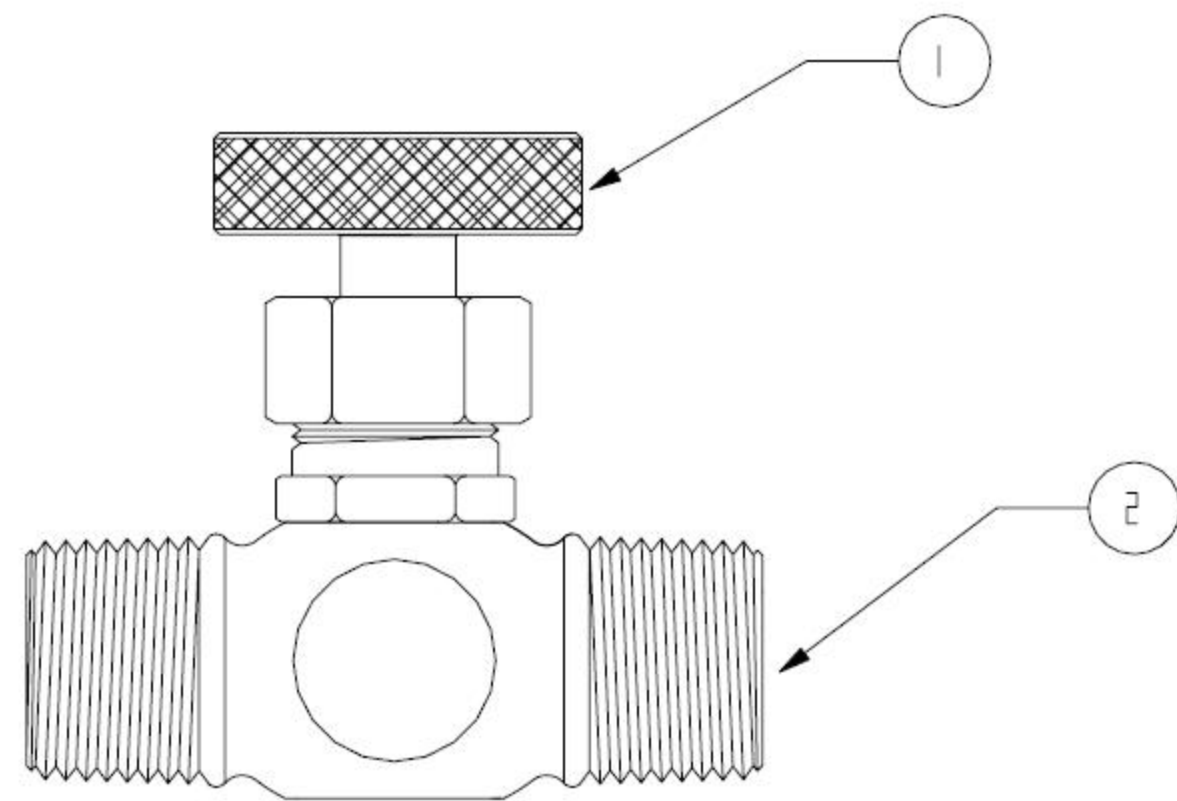
# Industrial Specialties Mfg.

An ISO 9001:2008 Certified Company

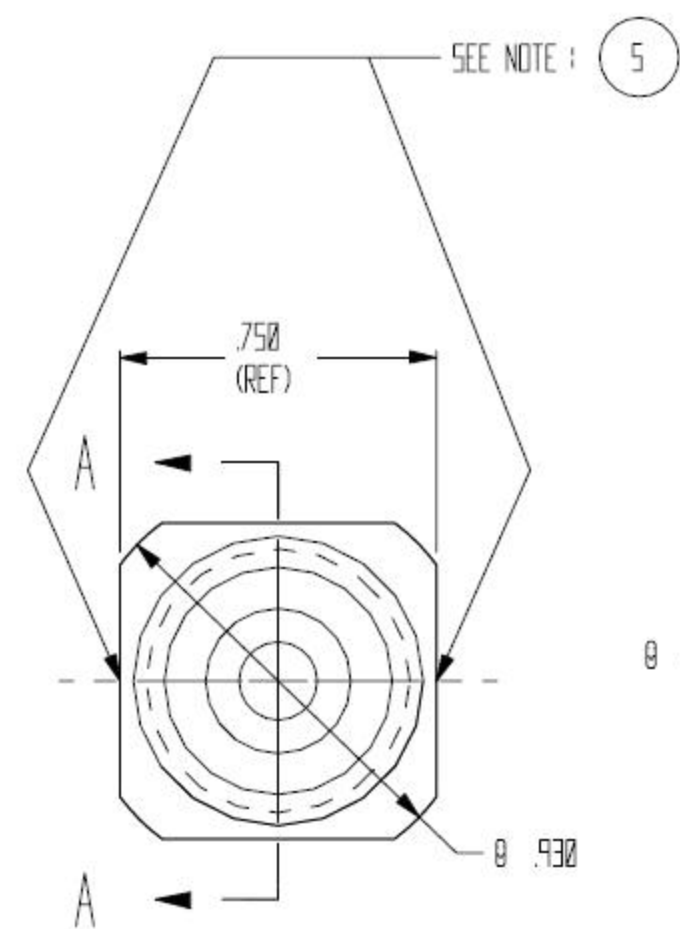
4091 S. Eliot St., Englewood, CO 80110-4396 • 303-781-8486 FAX: 303-761-7939 • www.industrialspec.com

## VNF-6M-B

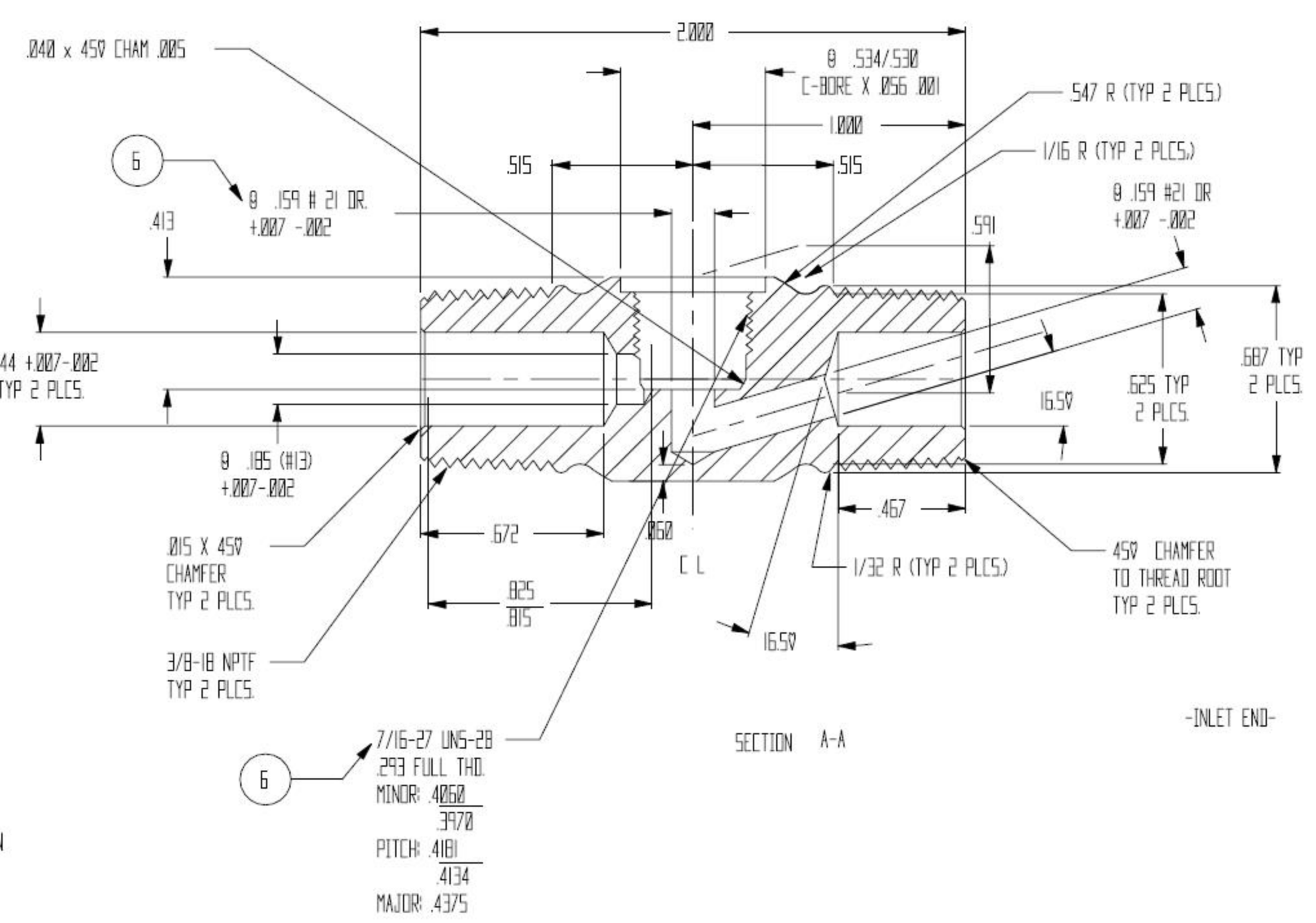
### 3/8" Male NPT Stainless Steel Tapered Stem Heavy Duty Brass Body



NOTE:  
1. SCREW VA2000-A1, VALVE ADJUSTING STEM ASSY,  
INTO VA1029-I, VALVE BODY.  
2. AFTER ASSEMBLY, AIR TEST IN WATER TO  
CHECK FOR LEAKS.



NOTE:  
1. MATERIAL: 3/4" SQUARE BRASS ALLOY 360.  
2. FINISH: NONE.  
3. REMOVE ALL BURRS AND SHARP EDGES.  
4. MAXIMUM FLAT ON DRILL POINTS - .015.  
5. STAMP VALVE # VA1029 AND FLOW DIRECTION  
USING 1/16 CHARACTERS. NO. ON ONE  
SIDE, ARROW ON OTHER.  
6. #21 DRILL HOLE & 7/16-27 THREAD TO BE  
CONCENTRIC WITHIN .004 T.I.R.  
7. SURFACE FINISH: 125 ✓ TYPICAL



6  
7/16-27 UNS-2B  
293 FULL THD.  
MINOR: .4050  
.3970  
PITCH: .4101  
.4134  
MAJOR: .4375