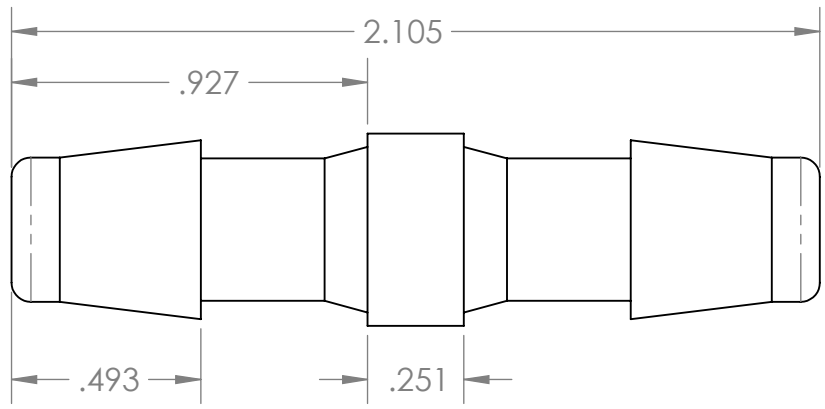
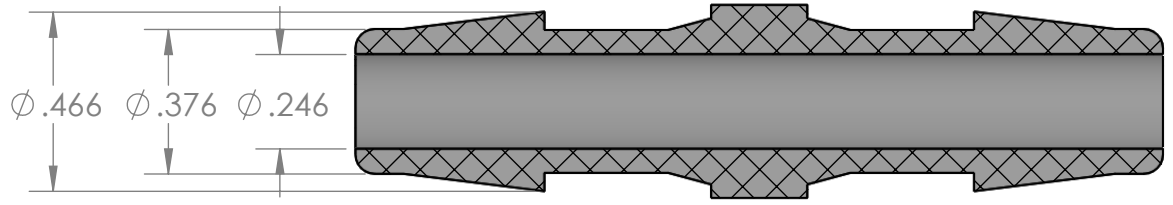


SECTION A-A



PROPRIETARY AND CONFIDENTIAL

THE INFORMATION CONTAINED IN THIS DRAWING IS THE SOLE PROPERTY OF INDUSTRIAL SPECIALTIES MFG. AND IS MED SPECIALITES. ANY REPRODUCTION IN PART OR AS A WHOLE WITHOUT THE WRITTEN PERMISSION OF INDUSTRIAL SPECIALTIES MFG. AND IS MED SPECIALITES IS PROHIBITED.

Description

3/8" Hose Barb Connector,
Natural Polypropylene

MFR# CAC59-PR0

NAME	DATE
M.E.	8/29/2016
DRAWN BY:	
SHEET 1 OF 1	
SCALE: 2:1	
DO NOT SCALE DRAWING	

PART#	REV
VCA-38-PP	1
 Industrial Specialties Mfg. IS Med Specialties www.industrial-spec.com 800-781-8487	