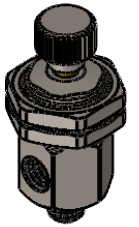
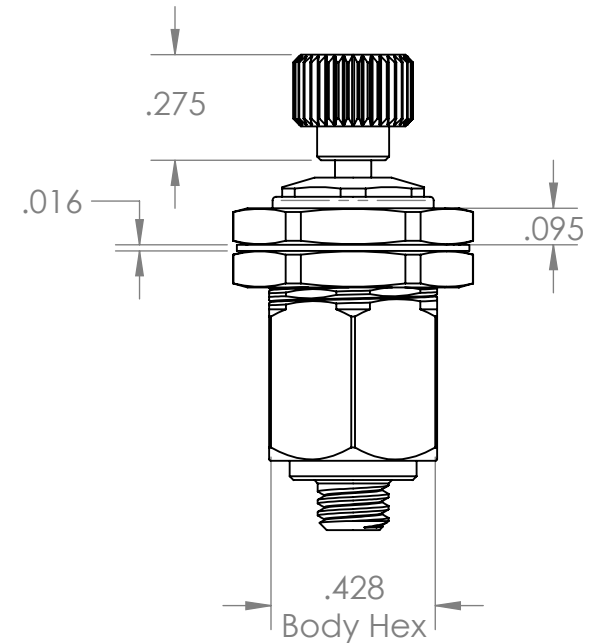
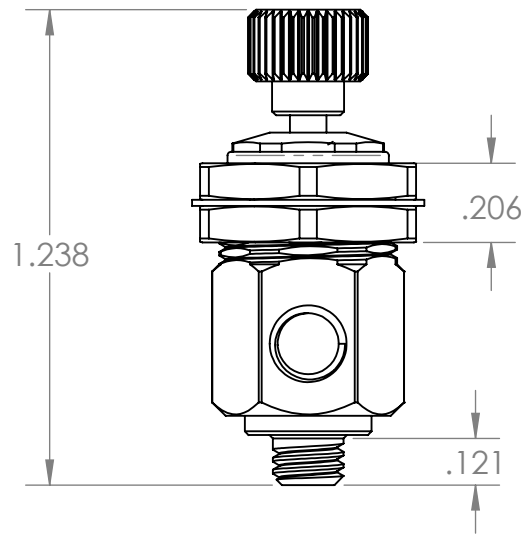


Max. Operating Pressure PSI	125
Max. Operating Temperature°F	180
Body/End Material	Electroless Nickel Plated Brass
Plating Option	ENP
Body Configuration	Brass 90 degree
Flow	2-way
Inlet	Male Thread 10-32
Outlet	Female Thread 10-32
Panel Mount	Standard
Seal Material	Buna
Knob, Button, Toggle Options	Small Knurled Knob



PROPRIETARY AND CONFIDENTIAL

Description

THE INFORMATION CONTAINED IN THIS DRAWING IS THE SOLE PROPERTY OF INDUSTRIAL SPECIALTIES MFG. AND IS MED SPECIALITES. ANY REPRODUCTION IN PART OR AS A WHOLE WITHOUT THE WRITTEN PERMISSION OF INDUSTRIAL SPECIALTIES MFG. AND IS MED SPECIALITES IS PROHIBITED.

10-32 Male UNF x 10-32 Female UNF Panel Mount Needle Valve, 90 degree configuration, Buna-N Seal, Nickel Plated Brass

NAME	DATE
M.E.	6/28/2019

PART#	REV
VNAT-1032M-1032F-BU-NI	1

SHEET 1 OF 1

SCALE: 2:1

DO NOT SCALE DRAWING



industrialspec.com | 800-781-8486