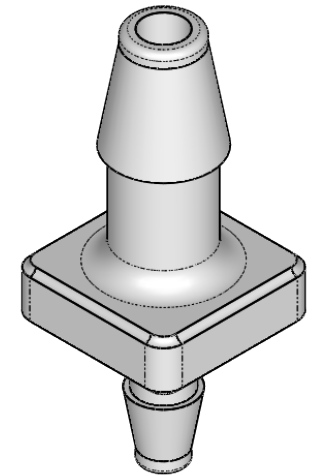
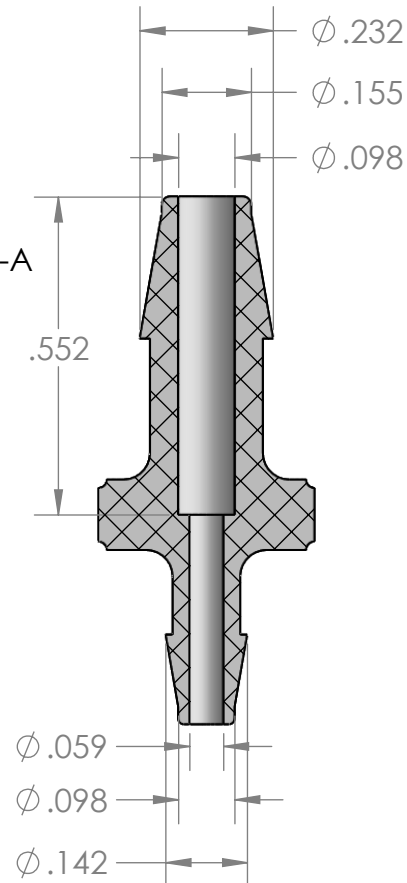


SECTION A-A



PROPRIETARY AND CONFIDENTIAL

Description

5/32" Hose Barb x 3/32" Hose Barb Connector,
 Precision Molded, White Nylon

MFR# MAD74-NY2

THE INFORMATION CONTAINED IN THIS DRAWING IS THE SOLE PROPERTY OF INDUSTRIAL SPECIALTIES MFG. AND IS MED SPECIALITES. ANY REPRODUCTION IN PART OR AS A WHOLE WITHOUT THE WRITTEN PERMISSION OF INDUSTRIAL SPECIALTIES MFG. AND IS MED SPECIALITES IS PROHIBITED.

| | |
|------|-----------|
| NAME | DATE |
| M.E. | 5/24/2017 |

PART#
 VCAPM-532332-WN

REV
 1

SHEET 1 OF 1

SCALE: 3:1

DO NOT SCALE DRAWING



industrialspec.com | 800-781-8486

5

4

3

2

1