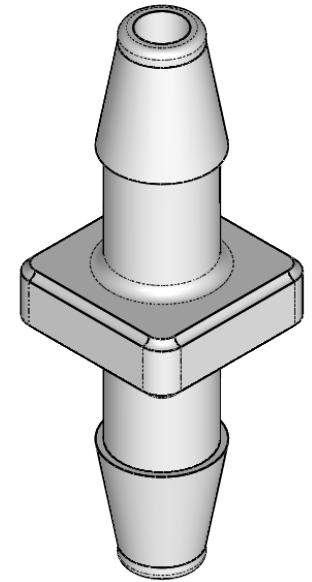
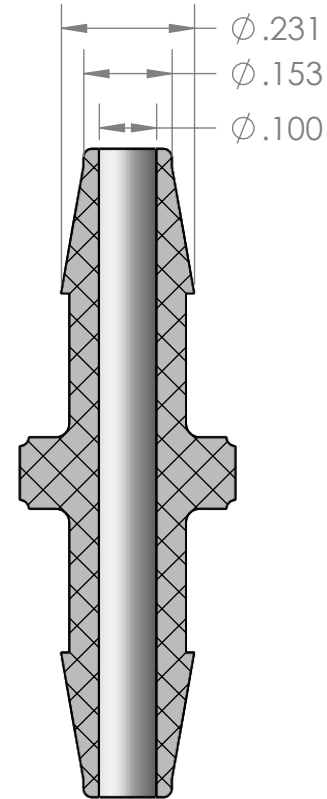


SECTION A-A



PROPRIETARY AND CONFIDENTIAL

Description

THE INFORMATION CONTAINED IN THIS DRAWING IS THE SOLE PROPERTY OF INDUSTRIAL SPECIALTIES MFG. AND IS MED SPECIALITES. ANY REPRODUCTION IN PART OR AS A WHOLE WITHOUT THE WRITTEN PERMISSION OF INDUSTRIAL SPECIALTIES MFG. AND IS MED SPECIALITES IS PROHIBITED.

5/32" Hose Barb Connector,
Precision Molded, White Nylon

MFR# MAC84-NY2

NAME DATE
DRAWN BY: M.E. 5/24/2017

SHEET 1 OF 1

SCALE: 3:1

DO NOT SCALE DRAWING

PART#

VCAPM-532-WN

REV
1



industrialspec.com | 800-781-8486

5

4

3

2

1