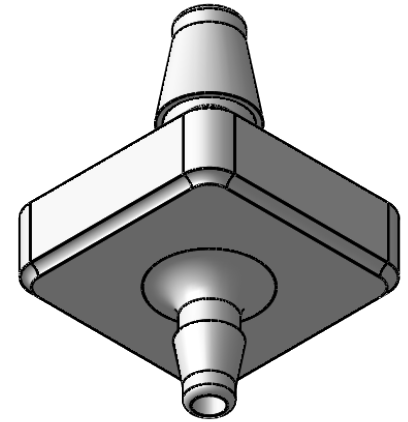
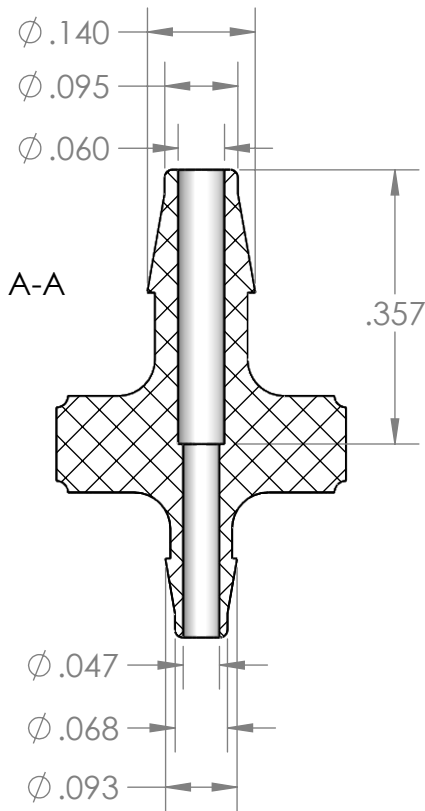


SECTION A-A



PROPRIETARY AND CONFIDENTIAL

**Description**

3/32" Hose Barb x 1/16" Hose Barb Connector,  
Precision Molded, White Nylon

MFR# MAD55-NY2

THE INFORMATION CONTAINED IN THIS DRAWING IS THE SOLE PROPERTY OF INDUSTRIAL SPECIALTIES MFG. AND IS MED SPECIALITES. ANY REPRODUCTION IN PART OR AS A WHOLE WITHOUT THE WRITTEN PERMISSION OF INDUSTRIAL SPECIALTIES MFG. AND IS MED SPECIALITES IS PROHIBITED.

NAME DATE  
DRAWN BY: M.E. 5/19/2017

SHEET 1 OF 1

SCALE: 4:1

DO NOT SCALE DRAWING

**PART#**

VCAPM-332116-WN

REV  
1



industrialspec.com | 800-781-8486