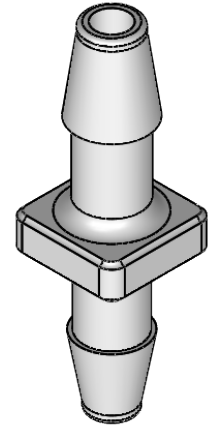
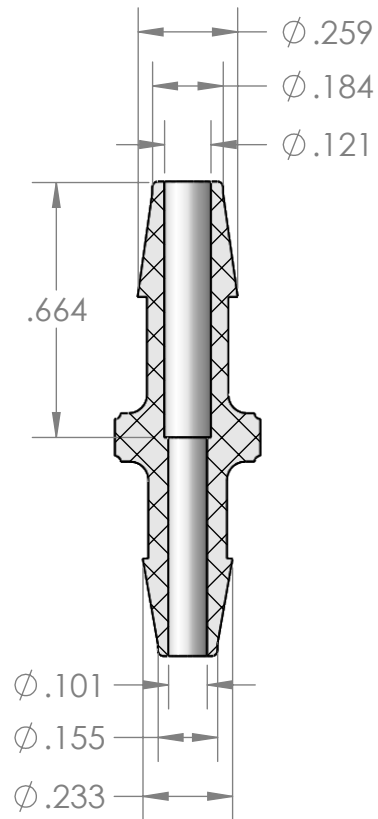


SECTION A-A



PROPRIETARY AND CONFIDENTIAL

**Description**

3/16" Hose Barb x 5/32" Hose Barb Connector,  
Precision Molded, White Nylon

MFR# MAD26-NY2

THE INFORMATION CONTAINED IN THIS DRAWING IS THE SOLE PROPERTY OF INDUSTRIAL SPECIALTIES MFG. AND IS MED SPECIALITES. ANY REPRODUCTION IN PART OR AS A WHOLE WITHOUT THE WRITTEN PERMISSION OF INDUSTRIAL SPECIALTIES MFG. AND IS MED SPECIALITES IS PROHIBITED.

NAME	DATE
M.E.	5/16/2017

**PART#**  
VCAPM-316532-WN

**REV**  
1

SHEET 1 OF 1

SCALE: 2:1

DO NOT SCALE DRAWING



industrialspec.com | 800-781-8486