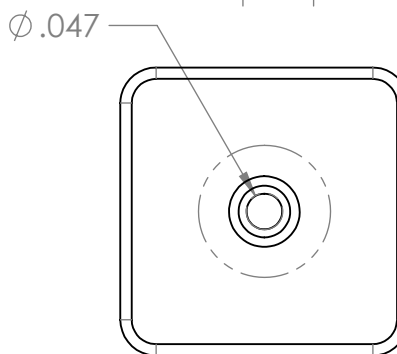
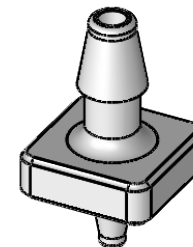
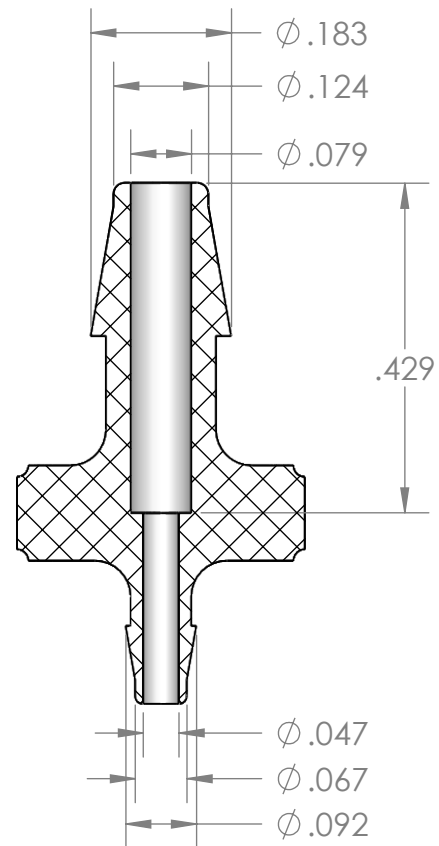


SECTION A-A



PROPRIETARY AND CONFIDENTIAL

Description

1/8" Hose Barb x 1/16" Hose Barb Connector,
Precision Molded, White Nylon

MFR# MAD51-NY2

THE INFORMATION CONTAINED IN THIS DRAWING IS THE SOLE PROPERTY OF INDUSTRIAL SPECIALTIES MFG. AND IS MED SPECIALITES. ANY REPRODUCTION IN PART OR AS A WHOLE WITHOUT THE WRITTEN PERMISSION OF INDUSTRIAL SPECIALTIES MFG. AND IS MED SPECIALITES IS PROHIBITED.

NAME	DATE
M.E.	4/7/2017

PART#

VCAPM-18116-WN

REV
1

SHEET 1 OF 1

SCALE: 4:1

DO NOT SCALE DRAWING



Industrial Specialties Mfg.

IS Med Specialties

www.industrialpec.com
800-781-8487

5

4

3

2

1