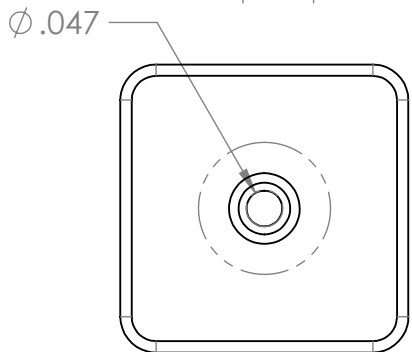
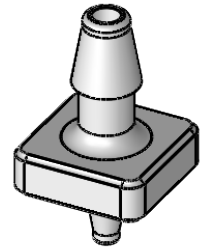
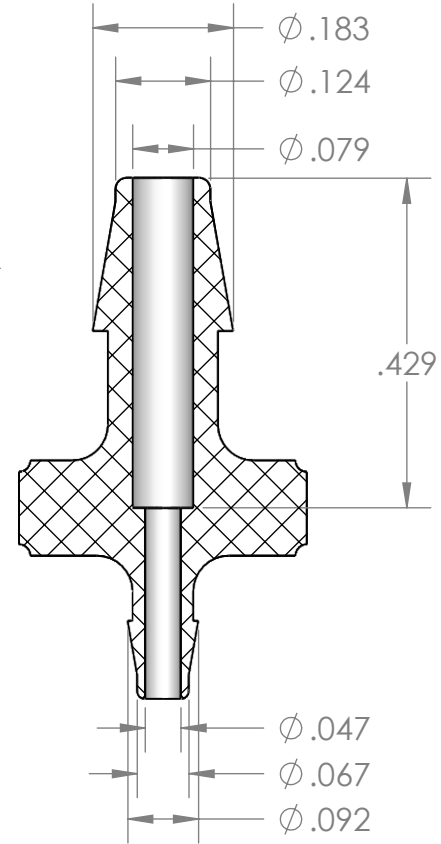


SECTION A-A



PROPRIETARY AND CONFIDENTIAL

**Description**

THE INFORMATION CONTAINED IN THIS DRAWING IS THE SOLE PROPERTY OF INDUSTRIAL SPECIALTIES MFG. AND IS MED SPECIALITES. ANY REPRODUCTION IN PART OR AS A WHOLE WITHOUT THE WRITTEN PERMISSION OF INDUSTRIAL SPECIALTIES MFG. AND IS MED SPECIALITES IS PROHIBITED.

1/8" Hose Barb x 1/16" Hose Barb Connector, Precision Molded, Clear Polycarbonate

MFR# MAD51-YC0

NAME	DATE
M.E.	5/11/2017

SHEET 1 OF 1

SCALE: 4:1

DO NOT SCALE DRAWING

<b>PART#</b> VCAPM-18116-PC	<b>REV</b> 1
--------------------------------	-----------------



**Industrial Specialties Mfg.**  
**IS Med Specialties**  
www.industrialpec.com  
800-781-8487