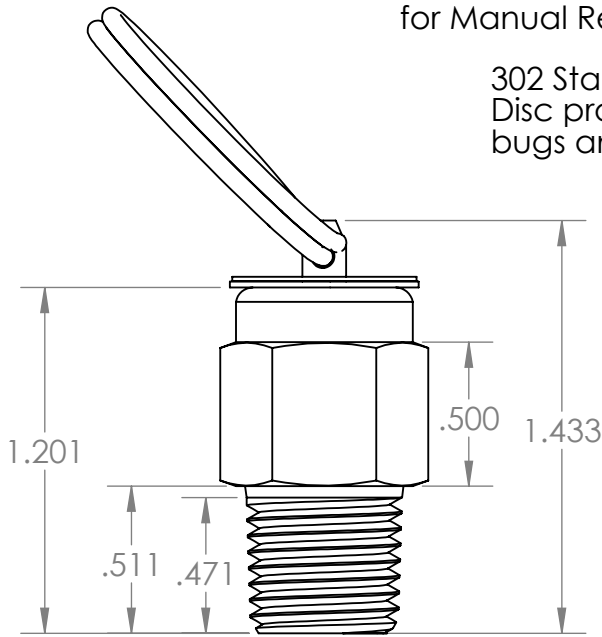


302 Stainless Steel Pull Ring
for Manual Relief

302 Stainless Steel Shield
Disc protects against dirt,
bugs and contaminates



Blue Color Coding
indicates 15 psi
cracking pressure

SECTION A-A
SCALE 1.5 : 1

Teflon Tape
(not shown)

Viton O-Ring

Solid Brass Plunger

302 Stainless Steel Guide

302 Stainless Steel Spring
Preset to 15 psi

Solid Brass Body

The precision spring is double heat treated to
eliminate temperature / time fatigue.

PROPRIETARY AND CONFIDENTIAL

Description

THE INFORMATION CONTAINED IN THIS
DRAWING IS THE SOLE PROPERTY OF
INDUSTRIAL SPECIALTIES MFG. AND
IS MED SPECIALITES. ANY REPRODUCTION
IN PART OR AS A WHOLE
WITHOUT THE WRITTEN PERMISSION OF
INDUSTRIAL SPECIALTIES MFG. AND
IS MED SPECIALITES IS PROHIBITED.

1/4" Male NPT Relief Valve, Viton O-Ring,
Stainless Steel Spring-Guide-Pull Ring,
Brass Plunger and Body

NAME DATE
DRAWN BY: M.E. 12/5/2014

PART#
URV-4-15

REV
1

SHEET 1 OF 1

SCALE: 3:2

DO NOT SCALE DRAWING



Industrial Specialties Mfg.
IS Med Specialties

5

4

3

2

1