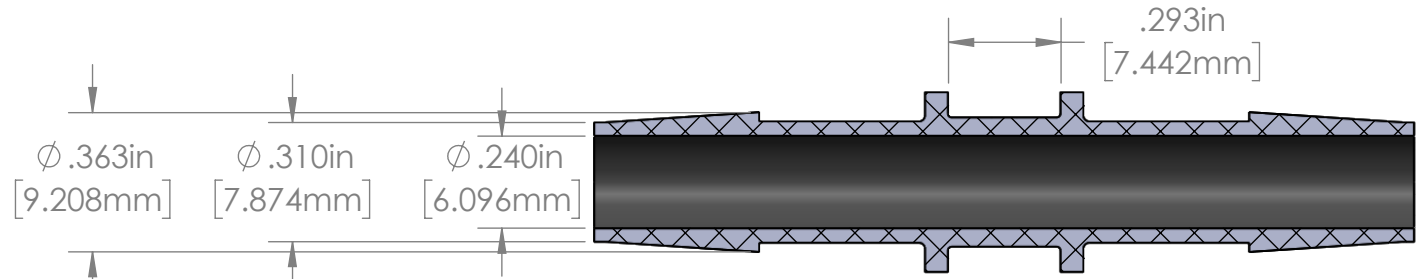


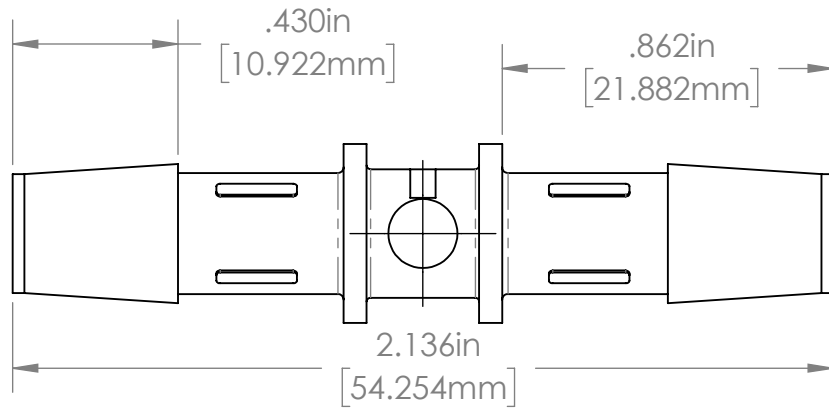
Ø .466in
[11.836mm]



SECTION A-A

Ø .363in [9.208mm] Ø .310in [7.874mm] Ø .240in [6.096mm]

.293in
[7.442mm]



.430in
[10.922mm]

.862in
[21.882mm]

2.136in
[54.254mm]

PROPRIETARY AND CONFIDENTIAL

Description

THE INFORMATION CONTAINED IN THIS DRAWING IS THE SOLE PROPERTY OF INDUSTRIAL SPECIALTIES MFG. AND IS MED SPECIALITES. ANY REPRODUCTION IN PART OR AS A WHOLE WITHOUT THE WRITTEN PERMISSION OF INDUSTRIAL SPECIALTIES MFG. AND IS MED SPECIALITES IS PROHIBITED.

5/16" Hose Barb Connector with Tube Stop,
Automotive Grade Black Nylon

NAME	DATE
M.E.	11/28/2017

PART#
UCBJ-516-BN

REV
1

SHEET 1 OF 1

SCALE: 2:1

DO NOT SCALE DRAWING



Industrial Specialties Mfg.
IS Med Specialties