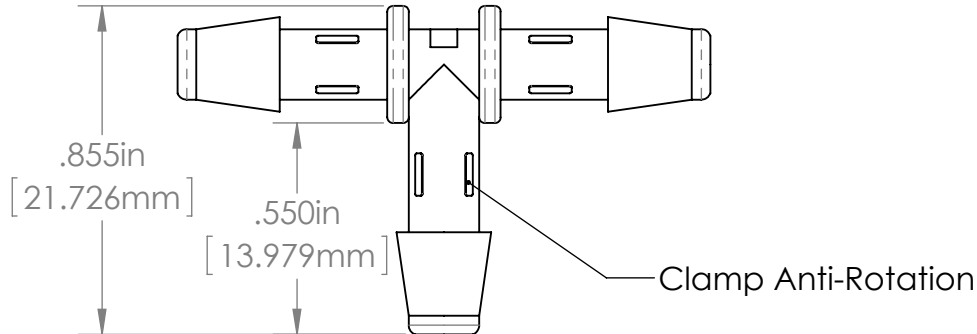


SECTION A-A



PROPRIETARY AND CONFIDENTIAL

Description

THE INFORMATION CONTAINED IN THIS DRAWING IS THE SOLE PROPERTY OF INDUSTRIAL SPECIALTIES MFG. AND IS MED SPECIALITES. ANY REPRODUCTION IN PART OR AS A WHOLE WITHOUT THE WRITTEN PERMISSION OF INDUSTRIAL SPECIALTIES MFG. AND IS MED SPECIALITES IS PROHIBITED.

3/16" Hose Barb Tee,
Automotive Grade Black Nylon

NAME	DATE
M.E.	10/30/2014

PART#
TUBJ-316-BN

REV
1

SHEET 1 OF 2

SCALE: 2:1

DO NOT SCALE DRAWING



Industrial Specialties Mfg.
IS Med Specialties

Black Nylon BN

Appearance: opaque Black, smooth shiny barbs

Temp. Range Low -50°F High 275°F

Pressure 150psi @70°

Black Nylon fittings are widely used for automotive and marine applications as well as general fluid handling. Black Nylon fittings are made from the same material formulation as Natural Nylon with the addition of a black colorant. Black Nylon fittings are manufactured for general applications.

Black Nylon Fittings Features

- Anti-rotation device reduces wear caused by hose rotation on barb
- Single barb design provides greater stability with both single and dual inside diameter hose
- Optimum connector insertion depth is regulated by bulkhead placement

Part numbers with the BN suffix are molded from materials that have the following approvals:

GM.....GMP.PA66.062(N)

Ford.....(ESA-M4D379-A&B) WSK-M4D666-A

DCX.....DB41 CPN2565

Delphi.....DCM5150

Other Approvals:.....SAEJ1639PA0172, ASTMD4066PA0181