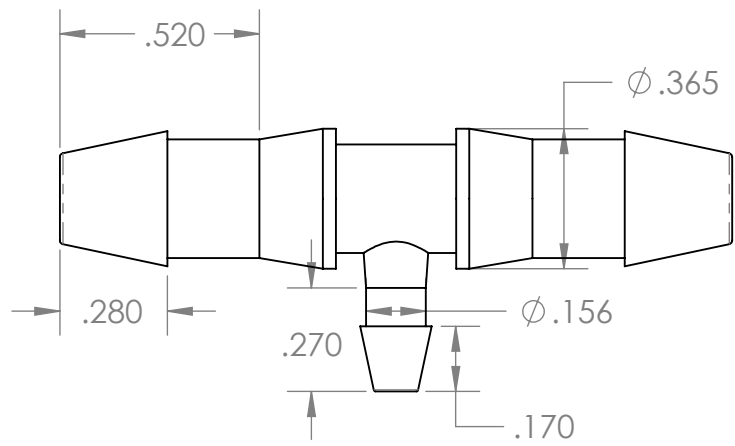
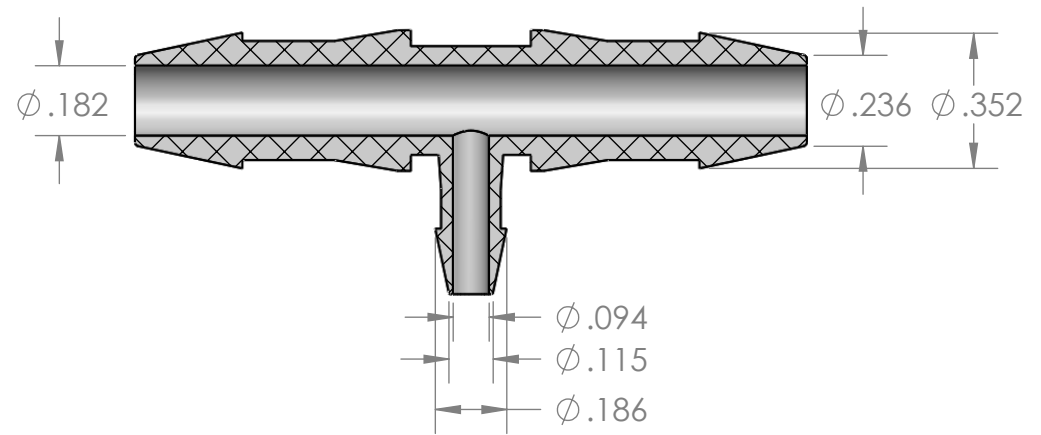


SECTION A-A



PROPRIETARY AND CONFIDENTIAL

Description

THE INFORMATION CONTAINED IN THIS DRAWING IS THE SOLE PROPERTY OF INDUSTRIAL SPECIALTIES MFG. AND IS MED SPECIALITES. ANY REPRODUCTION IN PART OR AS A WHOLE WITHOUT THE WRITTEN PERMISSION OF INDUSTRIAL SPECIALTIES MFG. AND IS MED SPECIALITES IS PROHIBITED.

1/4" Hose Barb x 1/8" Hose Barb, Tee
Natural Nylon

NAME	DATE
M.E.	4/27/2016

PART#
TUBJ-1418-N

REV
1

SHEET 1 OF 1

SCALE: 2:1

DO NOT SCALE DRAWING



Industrial Specialties Mfg.

IS Med Specialties

www.industrialspec.com
800-781-8487