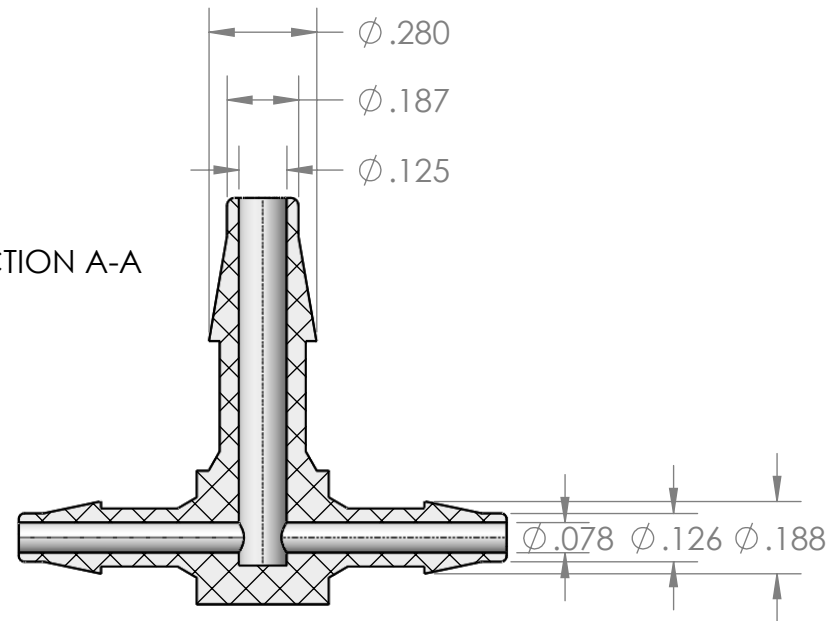


SECTION A-A



PROPRIETARY AND CONFIDENTIAL

Description

THE INFORMATION CONTAINED IN THIS DRAWING IS THE SOLE PROPERTY OF INDUSTRIAL SPECIALTIES MFG. AND IS MED SPECIALITES. ANY REPRODUCTION IN PART OR AS A WHOLE WITHOUT THE WRITTEN PERMISSION OF INDUSTRIAL SPECIALTIES MFG. AND IS MED SPECIALITES IS PROHIBITED.

1/8" Hose Barb x 3/16" Hose Barb Tee,
Natural Nylon

MFR# CED28-NR0

NAME DATE
DRAWN BY: M.E. 9/9/2016

SHEET 1 OF 1

SCALE: 2:1

DO NOT SCALE DRAWING

PART#
TA-1818316-N

REV
1



Industrial Specialties Mfg.

IS Med Specialties

www.industrialspec.com
800-781-8487