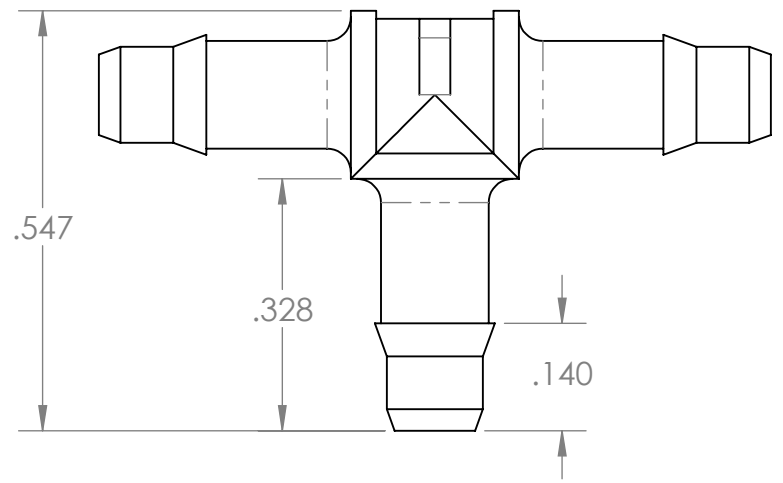


SECTION A-A



**PROPRIETARY AND CONFIDENTIAL**

THE INFORMATION CONTAINED IN THIS DRAWING IS THE SOLE PROPERTY OF INDUSTRIAL SPECIALTIES MFG. AND IS MED SPECIALITES. ANY REPRODUCTION IN PART OR AS A WHOLE WITHOUT THE WRITTEN PERMISSION OF INDUSTRIAL SPECIALTIES MFG. AND IS MED SPECIALITES IS PROHIBITED.

**Description**

1/8" Hose Barb Tee, Easy Assembly Barb Style, White Nylon

NAME	DATE
M.E.	5/2/2019
DRAWN BY:	
SHEET 1 OF 1	
SCALE: 4:1	
DO NOT SCALE DRAWING	

<b>PART#</b>	TV-18EA-WN	REV	1
 <b>ISM</b> Industrial Specialties Mfg. & IS MED Specialites (ISM)		<a href="http://industrialspec.com">industrialspec.com</a>   800-781-8486	