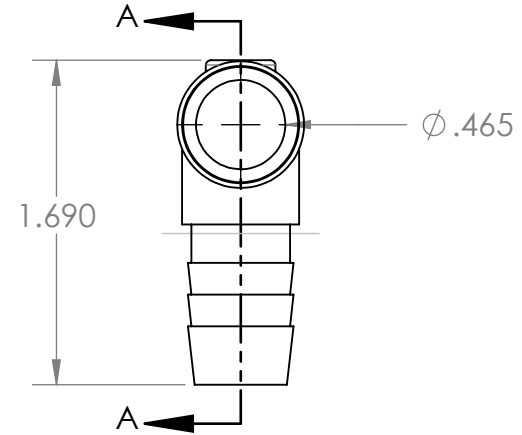
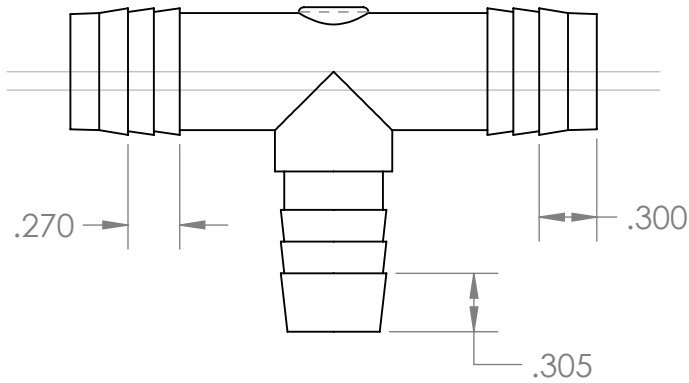
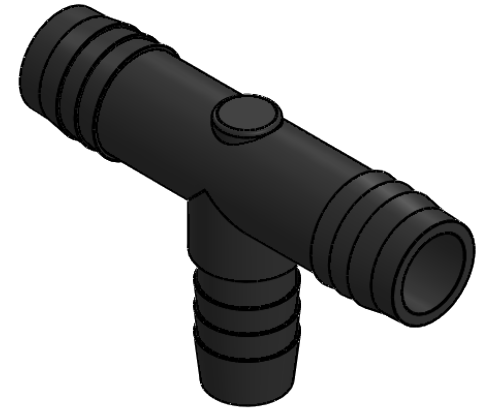


SECTION A-A



PROPRIETARY AND CONFIDENTIAL

**Description**

5/8" Hose Barb x 1/2" Hose Barb Tee,  
Black Polypropylene

THE INFORMATION CONTAINED IN THIS DRAWING IS THE SOLE PROPERTY OF INDUSTRIAL SPECIALTIES MFG. AND IS MED SPECIALITES. ANY REPRODUCTION IN PART OR AS A WHOLE WITHOUT THE WRITTEN PERMISSION OF INDUSTRIAL SPECIALTIES MFG. AND IS MED SPECIALITES IS PROHIBITED.

NAME	DATE
DRAWN BY: NEM	01/09/2020

**PART#**  
TUB-5812-BPP

REV  
1

SHEET 1 OF 1

SCALE: 1:1

DO NOT SCALE DRAWING



industrialspec.com | 800-781-8486