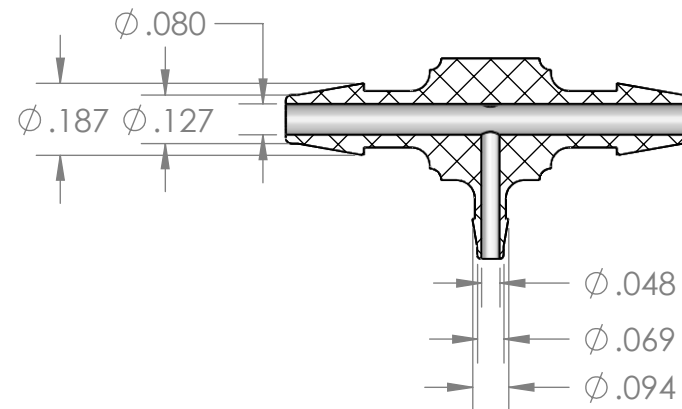


SECTION A-A



PROPRIETARY AND CONFIDENTIAL

**Description**

THE INFORMATION CONTAINED IN THIS DRAWING IS THE SOLE PROPERTY OF INDUSTRIAL SPECIALTIES MFG. AND IS MED SPECIALITES. ANY REPRODUCTION IN PART OR AS A WHOLE WITHOUT THE WRITTEN PERMISSION OF INDUSTRIAL SPECIALTIES MFG. AND IS MED SPECIALITES IS PROHIBITED.

1/8" Hose Barb x 1/16" Hose Barb Tee,  
Precision Molded White Nylon

MFR# MFC26-NY2

NAME DATE  
DRAWN BY: M.E. 4/4/2017

SHEET 1 OF 1

SCALE: 2:1

DO NOT SCALE DRAWING

**PART#**

TAPM-1818116-WN

REV  
1



**Industrial Specialties Mfg.**

**IS Med Specialties**

www.industrial-spec.com  
800-781-8487