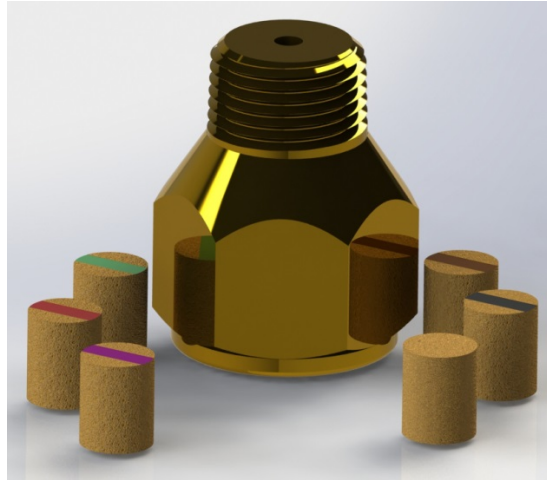
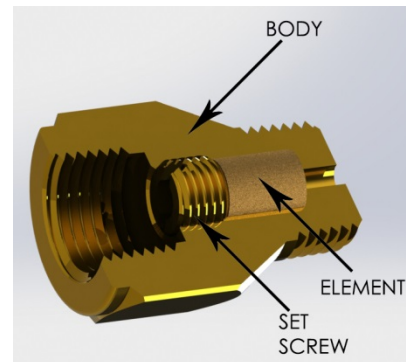
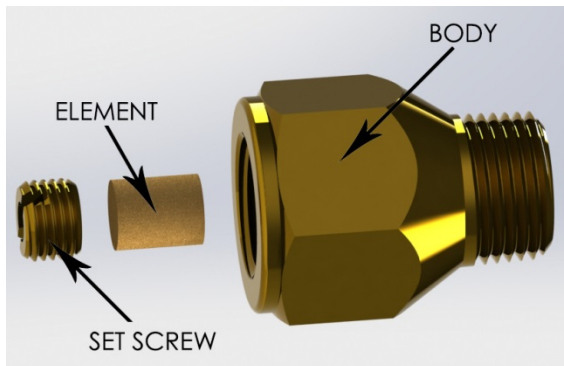


# SNUB Series Specifications

SNUB Series pressure snubber protects pressure instruments from sudden pressure surges and fluctuations. The body is made out of solid brass with a porous bronze element to handle up to 9000 psi maximum pressure. Available sizes are: 1/4" male NPT x 1/4" female NPT or 3/8" male NPT x 3/8" female NPT bodies.



Six different porous color-coded elements are packaged with each unit, which allows users to tailor the snubbing capacity for different applications. Replacement elements are inexpensive and easy to replace. The SNUB Series can also be used as a miniature inline filter.



Part#	Description
SNUB-4M	1/4" MNPT x 1/4" FNPT Pressure Snubber with 6 Sintered Bronze Elements, Brass
SNUB-6M	3/8" MNPT x 3/8" FNPT Pressure Snubber with 6 Sintered Bronze Elements, Brass
SNUB-RF-5	5 micron Replacement Element, Purple Color Code, for use with air or gases
SNUB-RF-10	10 micron Replacement Element, Red Color Code, for use with air or gases
SNUB-RF-20	20 micron Replacement Element, Green Color Code, for use with low viscosity fluids (under 30SSU)
SNUB-RF-25	25 micron Replacement Element, Brown Color Code, for use with water & light oils (30 to 225 SSU)
SNUB-RF-30	30 micron Replacement Element, Black Color Code, for use with medium type oils (225 to 500 SSU)
SNUB-RF-40	40 micron Replacement Element, No Color Code, for use with viscous fluids (over 500 SSU)