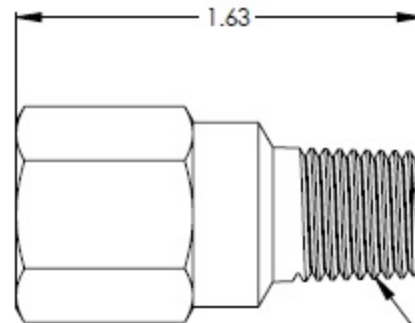
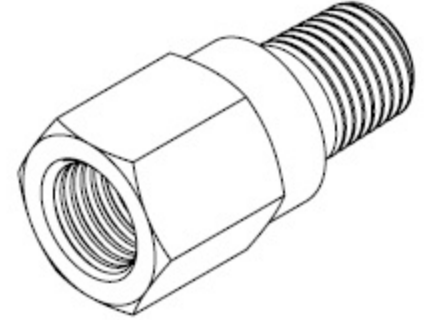


↑  
Flow



1/4 -18 NPT INLET  
& OUTLET

PROPRIETARY AND CONFIDENTIAL

Description

THE INFORMATION CONTAINED IN THIS DRAWING IS THE SOLE PROPERTY OF INDUSTRIAL SPECIALTIES MFG. AND IS MED SPECIALITES. ANY REPRODUCTION IN PART OR AS A WHOLE WITHOUT THE WRITTEN PERMISSION OF INDUSTRIAL SPECIALTIES MFG. AND IS MED SPECIALITES IS PROHIBITED.

**1/4" Male NPT x 1/4" Female NPT In-Line Relief Valve, 60 psi Cracking Pressure, Silicone Seals, 316 Stainless Steel**

DRAWN BY:

NAME

M.E.

DATE

6/7/2019

PART#

**RVL-4MF-SI-SS316-60**

REV

1

SHEET 1 OF 1



**Industrial Specialties Mfg.**  
**IS Med Specialties**