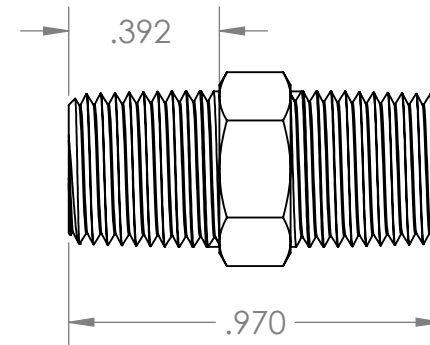
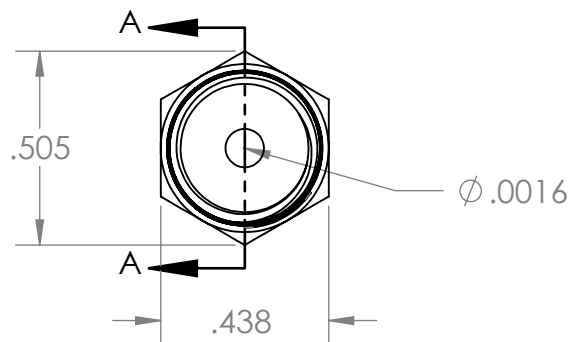


SECTION A-A



PROPRIETARY AND CONFIDENTIAL

Description

1/8" Male NPT Orifice Hex Nipple,
0.0016" Sapphire Orifice with Nylon Insert,
Brass Body

THE INFORMATION CONTAINED IN THIS DRAWING IS THE SOLE PROPERTY OF INDUSTRIAL SPECIALTIES MFG. AND IS MED SPECIALITES. ANY REPRODUCTION IN PART OR AS A WHOLE WITHOUT THE WRITTEN PERMISSION OF INDUSTRIAL SPECIALTIES MFG. AND IS MED SPECIALITES IS PROHIBITED.

NAME	DATE
M.E.	11/1/2018

PART#
RIJ-2-0016SA-B

REV
1

SHEET 1 OF 1

SCALE: 2:1

DO NOT SCALE DRAWING



industrialspec.com | 800-781-8486