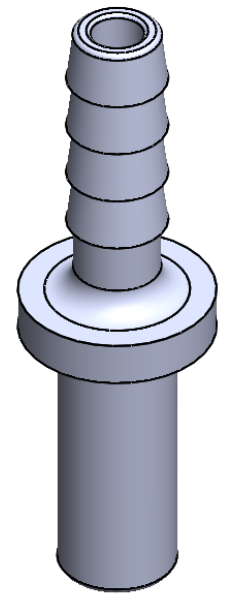
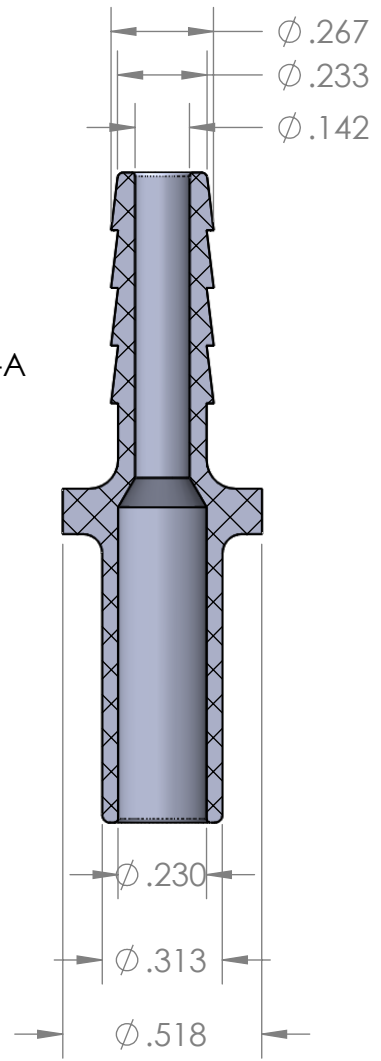


SECTION A-A



PROPRIETARY AND CONFIDENTIAL

THE INFORMATION CONTAINED IN THIS DRAWING IS THE SOLE PROPERTY OF INDUSTRIAL SPECIALTIES MFG. AND IS MED SPECIALITES. ANY REPRODUCTION IN PART OR AS A WHOLE WITHOUT THE WRITTEN PERMISSION OF INDUSTRIAL SPECIALTIES MFG. AND IS MED SPECIALITES IS PROHIBITED.

Description

1/4" Hose Barb x 5/16" OD Stem, Gray Acetal

NAME	DATE
M.E.	5/21/2015
DRAWN BY:	
SHEET 1 OF 1	
SCALE: 2:1	
DO NOT SCALE DRAWING	

PART#	REV
QTH-14-516	1
 Industrial Specialties Mfg. IS Med Specialties	