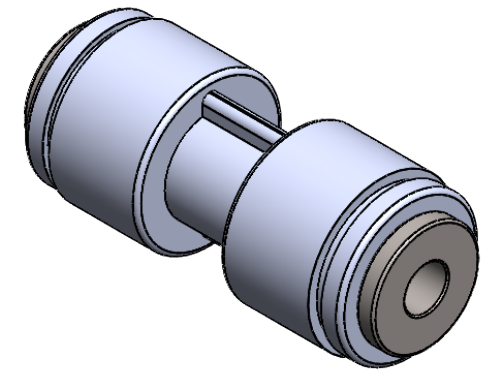
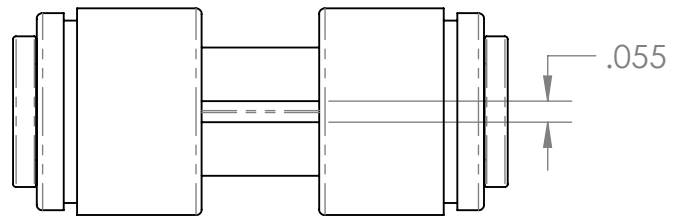
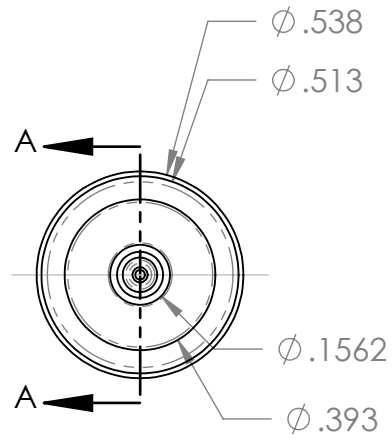
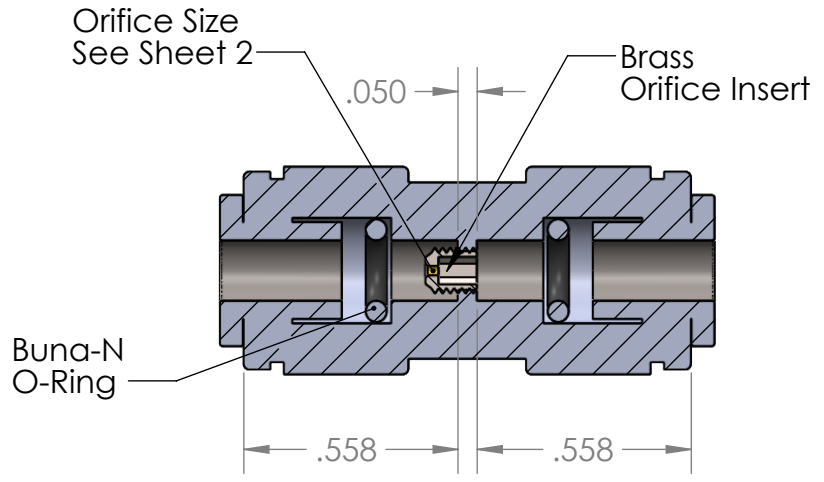
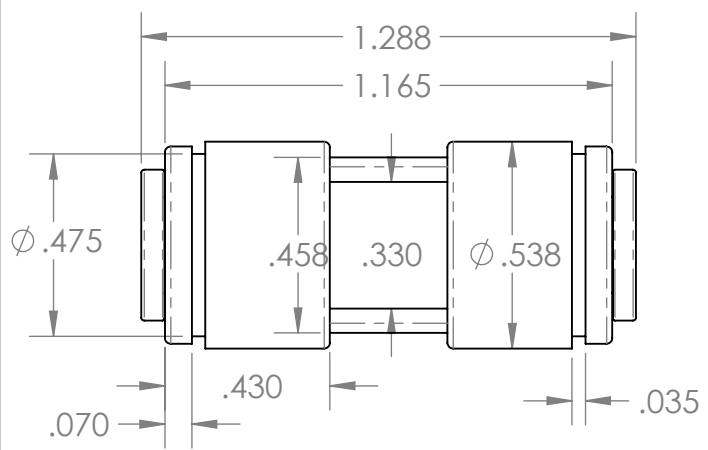


REVISIONS

REV.2	Additional Dimensions added	12/6/2018
-------	-----------------------------	-----------



SECTION A-A



See Sheet 2 for part numbers and specifications

PROPRIETARY AND CONFIDENTIAL

Description

THE INFORMATION CONTAINED IN THIS DRAWING IS THE SOLE PROPERTY OF INDUSTRIAL SPECIALTIES MFG. AND IS MED SPECIALITES. ANY REPRODUCTION IN PART OR AS A WHOLE WITHOUT THE WRITTEN PERMISSION OF INDUSTRIAL SPECIALTIES MFG. AND IS MED SPECIALITES IS PROHIBITED.

3/16" OD Tube Push-In Union with Brass Orifice, Buna-N O-ring, Stainless Steel Gripper Teeth, Gray Acetal Body

NAME DATE  
DRAWN BY: M.E. 2/19/2014

PART# QUC-316PO-(Orifice Size) REV 1

SHEET 1 OF 2  
SCALE: 2:1  
DO NOT SCALE DRAWING



<b>Part#</b>	<b>Orifice Size</b>
QUC-316PO-016B	0.016"
QUC-316PO-018B	0.018"
QUC-316PO-020B	0.020"
QUC-316PO-021B	0.021"
QUC-316PO-023B	0.023"
QUC-316PO-024B	0.024"
QUC-316PO-025B	0.025"
QUC-316PO-026B	0.026"
QUC-316PO-027B	0.027"
QUC-316PO-028B	0.028"
QUC-316PO-029B	0.029"
QUC-316PO-031B	0.031"
QUC-316PO-032B	0.032"
QUC-316PO-033B	0.033"
QUC-316PO-035B	0.035"

<b>Max. Temperature</b>	<b>Working Pressure</b>
<b>Air</b>	
-4°F	230 psi
-20°C	16 Bar
<b>Potable Liquids and Air</b>	
+33°F	230 psi
+1°C	16 Bar
+73°F	230 psi
+23°C	16 Bar
+158°F	150 psi
+70°C	10 Bar

<b>Tube Tolerances</b>	
Tolerance	+0.001 / -0.003

<b>Orifice Tolerance</b>
± 0.0005

<b>Dimension Tolerances</b>
± 0.0005