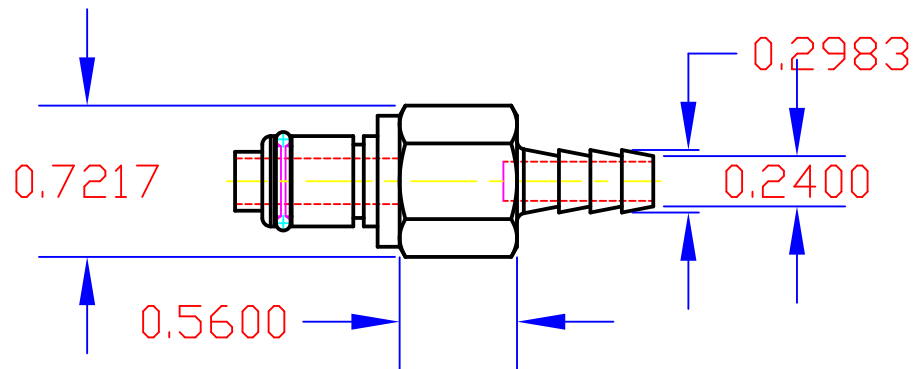
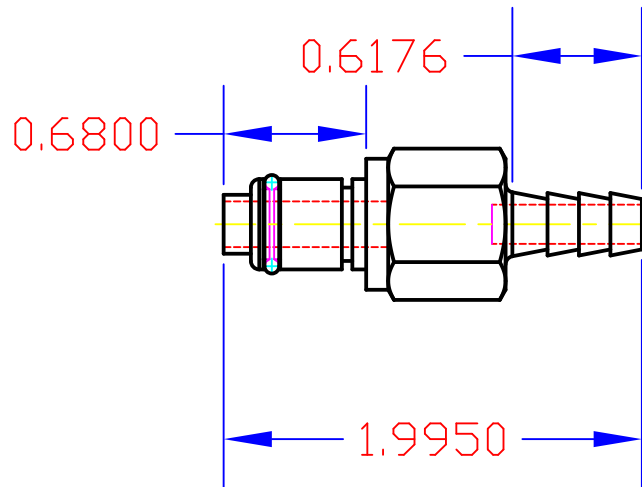


Part #: PLCD22004
1/4 Hose Barb Valved In-Line Coupling Insert

Material: Acetal
Color: White
Mounting Option: Free Floating
Seal Options: BUNA-N
Pressure Range: Vacuum to 120 psi, 8.3 bar
Temp. Range: -40°F to 180°F (-40°C to 82°C)
Valve Spring: 316 Stainless Steel



INDUSTRIAL SPECIALTIES MFG.

DRAWING NAME:

PLCD22004

MATERIAL:
Acetal

DRAWING NUMBER: 1

REV. 1

M.E.

6/19/2012

THIS DOCUMENT IS PROPERTY OF INDUSTRIAL SPECIALTIES MFG.
ANY REPRODUCTION, DISCLOSURE, OR USE OF THIS DOCUMENT IS
EXPRESSLY PROHIBITED UNLESS OTHERWISE AGREED UPON IN WRITING.
ALL SPECIFICATIONS SUBJECT TO CHANGE WITHOUT NOTICE.