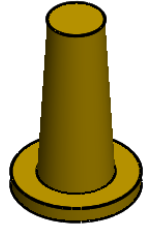
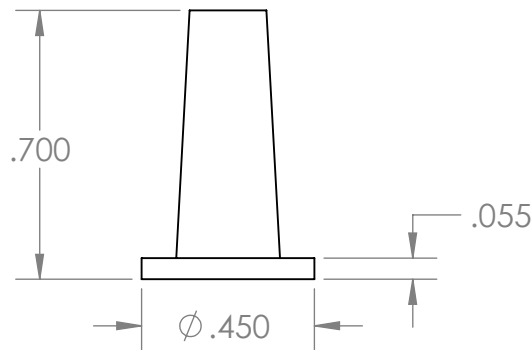
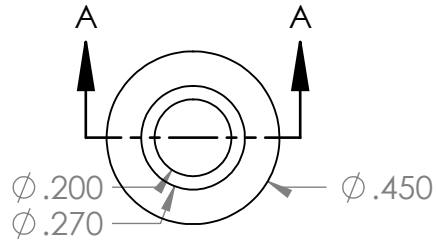
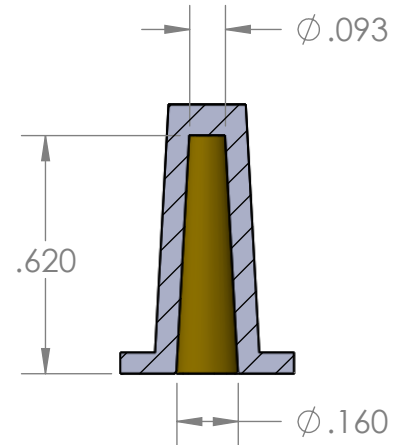


Polypropylene Element



Sintered Bronze Element



SECTION A-A

| Part#          | Micron    | Material      |
|----------------|-----------|---------------|
| PIF25-RF-PP-5  | 5 Micron  | Polypropylene |
| PIF25-RF-PP-10 | 10 micron | Polypropylene |
| PIF25-RF-PP-20 | 20 micron | Polypropylene |
| PIF25-RF-PP-40 | 40 micron | Polypropylene |
| PIF25-RF-PP-60 | 60 micron | Polypropylene |
| PIF25-RF-PP-90 | 90 Micron | Polypropylene |

| Part#          | Micron    | Material        |
|----------------|-----------|-----------------|
| PIF25-RF-BZ-5  | 5 Micron  | Sintered Bronze |
| PIF25-RF-BZ-10 | 10 micron | Sintered Bronze |
| PIF25-RF-BZ-20 | 20 micron | Sintered Bronze |
| PIF25-RF-BZ-40 | 40 micron | Sintered Bronze |
| PIF25-RF-BZ-60 | 60 micron | Sintered Bronze |
| PIF25-RF-BZ-90 | 90 Micron | Sintered Bronze |

PROPRIETARY AND CONFIDENTIAL

Description

THE INFORMATION CONTAINED IN THIS DRAWING IS THE SOLE PROPERTY OF INDUSTRIAL SPECIALTIES MFG. AND IS MED SPECIALITES. ANY REPRODUCTION IN PART OR AS A WHOLE WITHOUT THE WRITTEN PERMISSION OF INDUSTRIAL SPECIALTIES MFG. AND IS MED SPECIALITES IS PROHIBITED.

Replacement Elements for PIF25 Series

NAME DATE  
DRAWN BY: M.E. 2/5/2015

PART#

PIF25-Replacements

REV  
1

SHEET 1 OF 1

SCALE: 2:1

DO NOT SCALE DRAWING



**Industrial Specialties Mfg.**  
**IS Med Specialties**