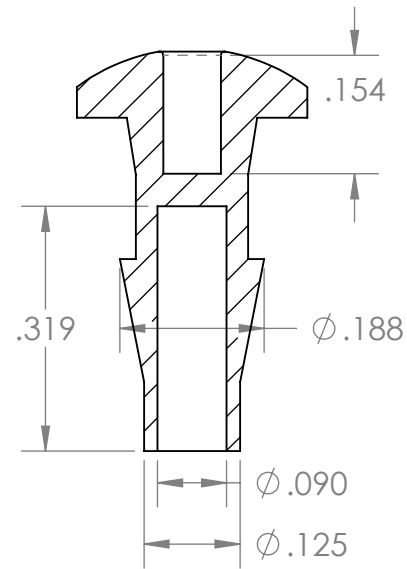
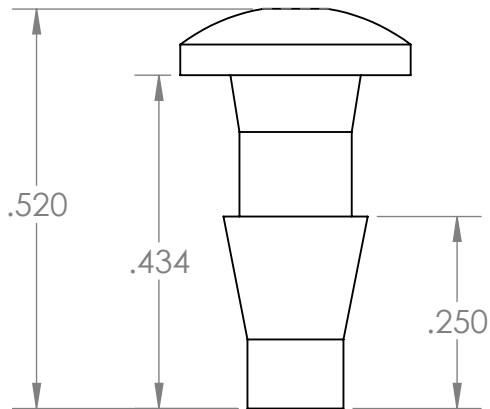


SECTION A-A



PROPRIETARY AND CONFIDENTIAL

Description

THE INFORMATION CONTAINED IN THIS DRAWING IS THE SOLE PROPERTY OF INDUSTRIAL SPECIALTIES MFG. AND IS MED SPECIALITES. ANY REPRODUCTION IN PART OR AS A WHOLE WITHOUT THE WRITTEN PERMISSION OF INDUSTRIAL SPECIALTIES MFG. AND IS MED SPECIALITES IS PROHIBITED.

1/8" Hose Barb Plug, Natural Polypropylene

NAME	DATE
M.E.	3/31/2014

PART# P-18V-PP

REV  
1

SHEET 1 OF 1

SCALE: 4:1

DO NOT SCALE DRAWING



**Industrial Specialties Mfg.**  
**IS Med Specialties**