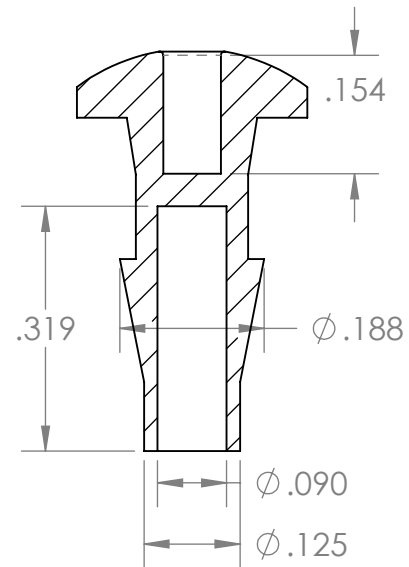
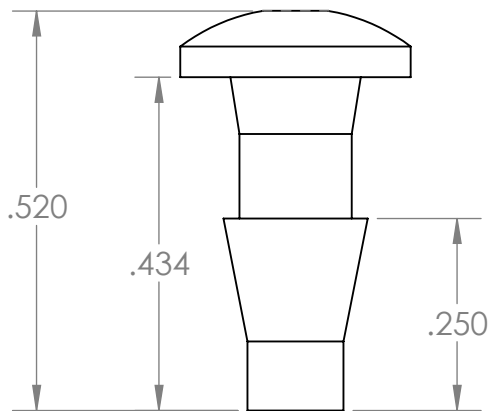


SECTION A-A



PROPRIETARY AND CONFIDENTIAL

Description

THE INFORMATION CONTAINED IN THIS DRAWING IS THE SOLE PROPERTY OF INDUSTRIAL SPECIALTIES MFG. AND IS MED SPECIALITES. ANY REPRODUCTION IN PART OR AS A WHOLE WITHOUT THE WRITTEN PERMISSION OF INDUSTRIAL SPECIALTIES MFG. AND IS MED SPECIALITES IS PROHIBITED.

1/8" Hose Barb Plug, Natural Kynar

NAME	DATE
M.E.	3/31/2014

PART# P-18V-K

REV
1

SHEET 1 OF 1

SCALE: 4:1

DO NOT SCALE DRAWING



Industrial Specialties Mfg.
IS Med Specialties