



INDUSTRIAL SPECIALTIES MFG.

4091 S. Eliot St., Englewood, CO 80110-4396 • 303-781-8486 FAX: 303-761-7939 • www.industrialspec.com

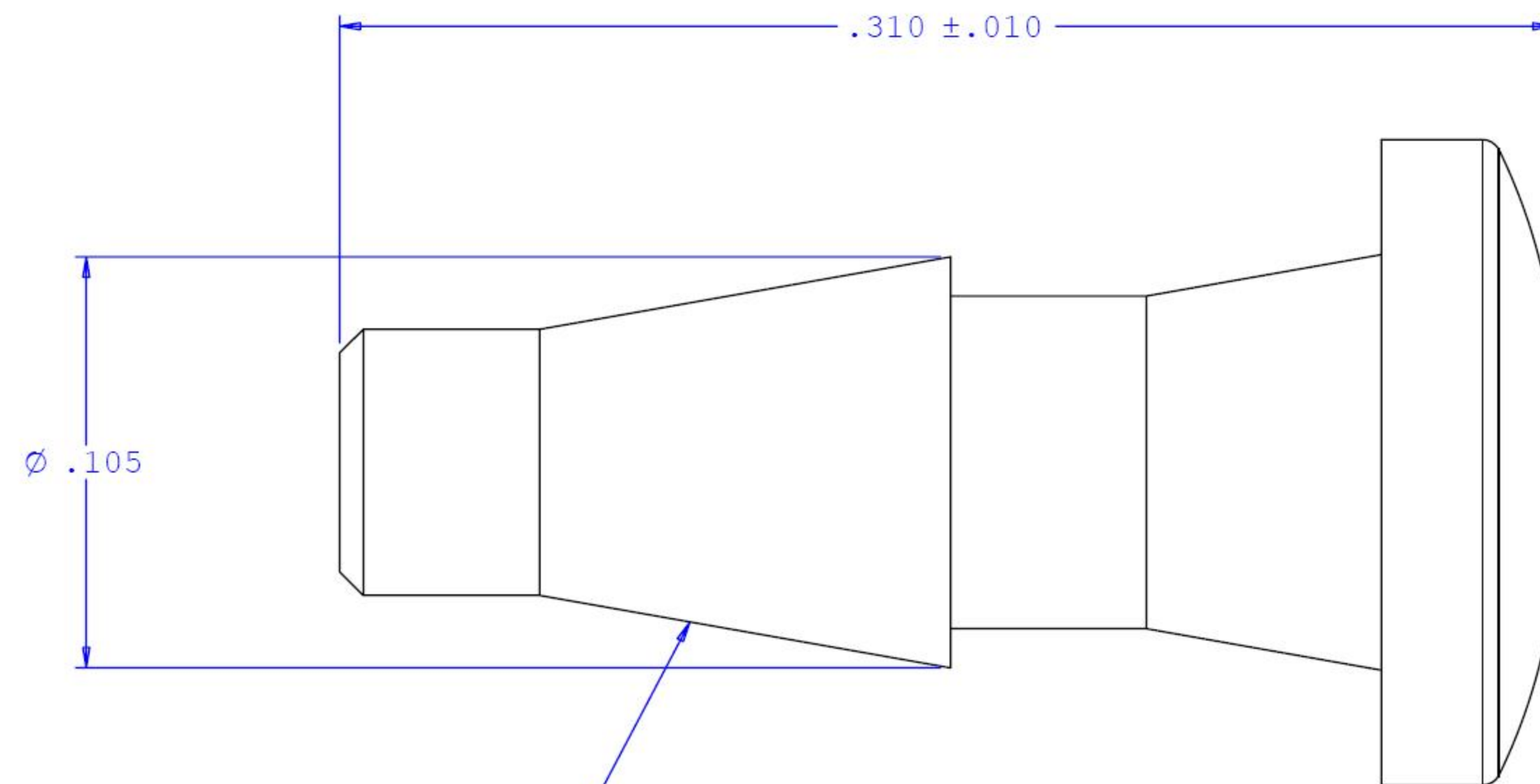
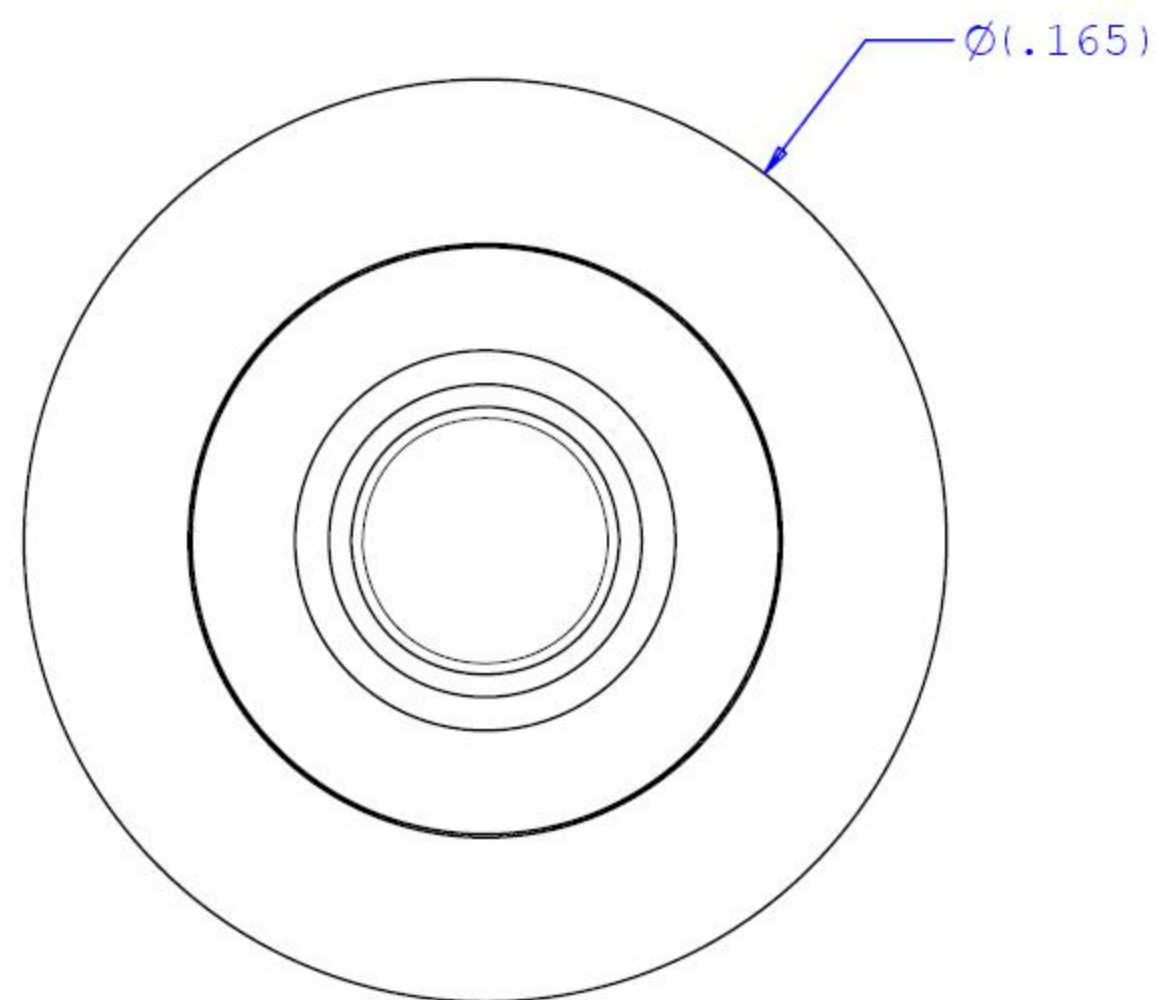
P-116V-WN

(P-16)

1/16" Hose Barb

Standard Barb Style

White Nylon



INSTRUMENT QUALITY PART. NO
PARTING LINE PERMITTED ON
THIS CONICAL SURFACE