

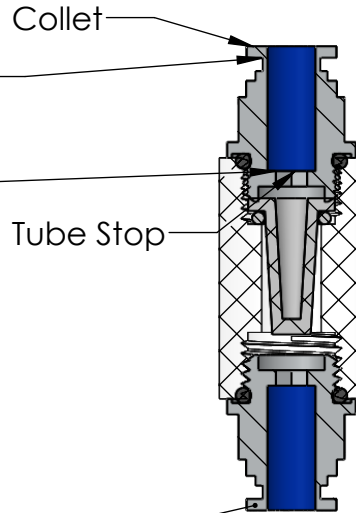
How To Effectively Install:

Cut the Tube square, remove all burrs and sharp edges

Install Tube through the Collet

Push Tube until the Tube Stop is reached

Pull the Tube back to secure with the gripper teeth

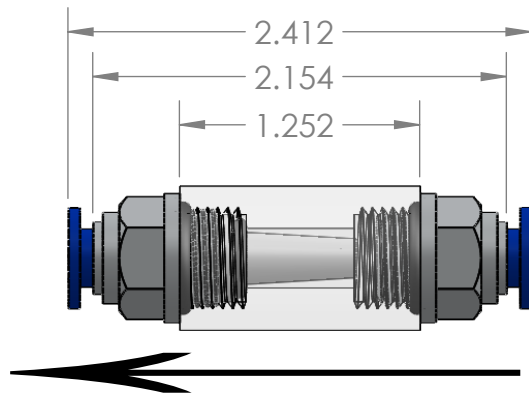
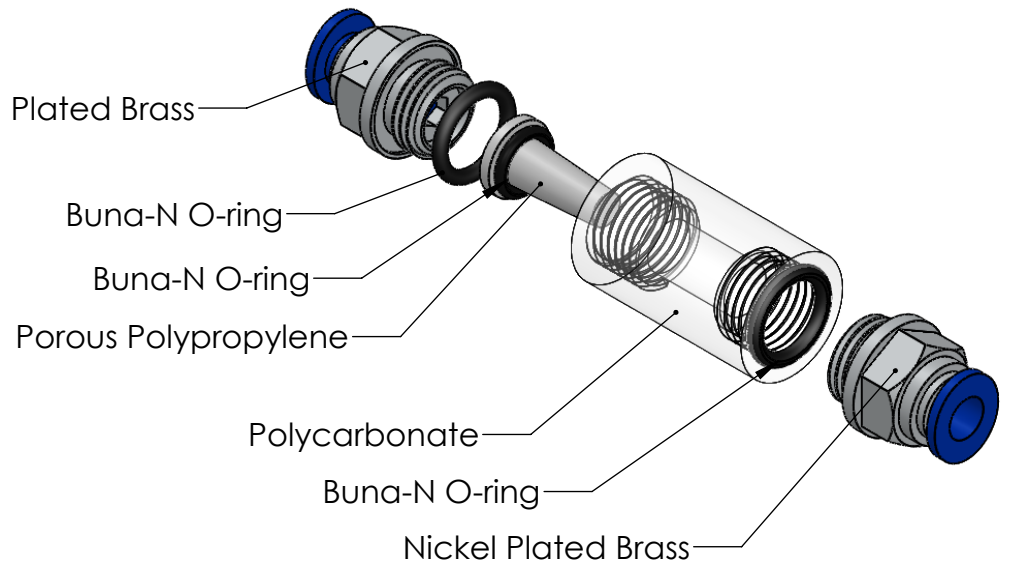


SECTION A-A

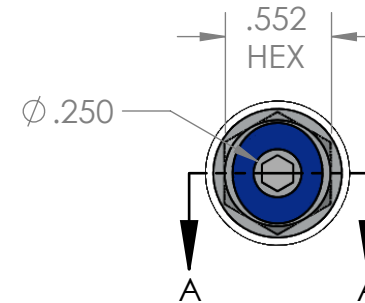
Disconnecting

Depressureize the line

Press Collet against the body, and pull the tube.



Flow direction from outside of element to inside.



PROPRIETARY AND CONFIDENTIAL

Description

6mm OD Tube Push-In Serviceable Filter,
Clear Polycarbonate Housing,
10 Micron Porous Polypropylene Element

THE INFORMATION CONTAINED IN THIS DRAWING IS THE SOLE PROPERTY OF INDUSTRIAL SPECIALTIES MFG. AND IS MED SPECIALITES. ANY REPRODUCTION IN PART OR AS A WHOLE WITHOUT THE WRITTEN PERMISSION OF INDUSTRIAL SPECIALTIES MFG. AND IS MED SPECIALITES IS PROHIBITED.

NAME DATE
DRAWN BY: M.E. 2/24/2020

PART#
PIF25-6MM-PP-10

REV
1

SHEET 1 OF 1

SCALE: 1:1

DO NOT SCALE DRAWING



industrialspec.com | 800-781-8486