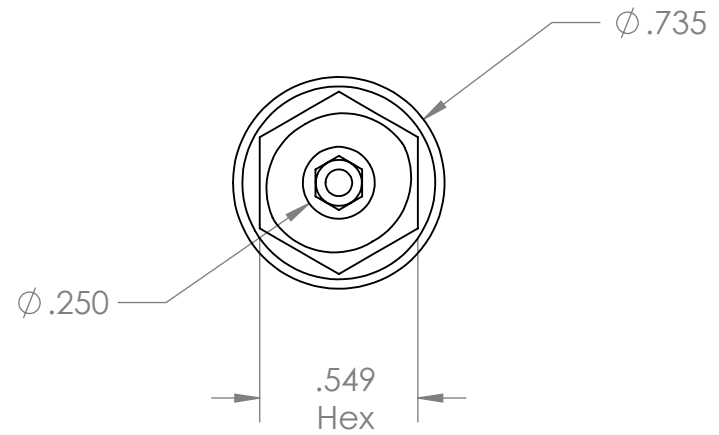
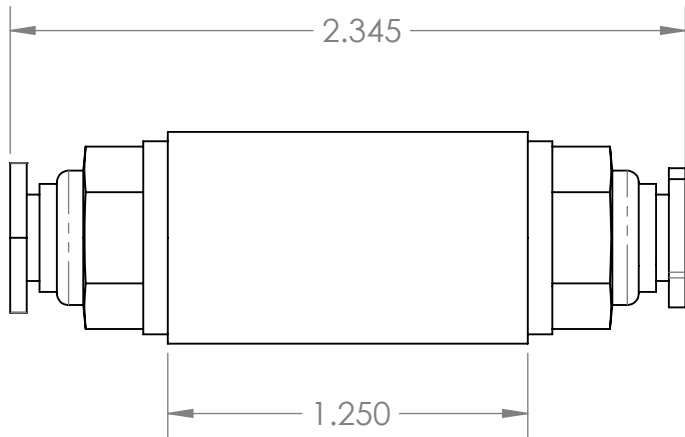
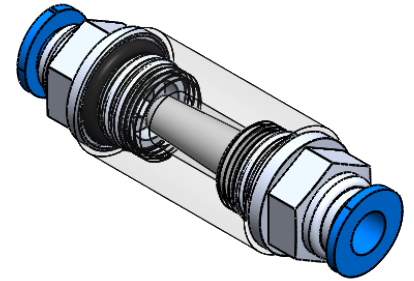


Flow Direction →

The internal Filter is designed to flow from the outside of the cone shape to the inside.



PROPRIETARY AND CONFIDENTIAL

Description

THE INFORMATION CONTAINED IN THIS DRAWING IS THE SOLE PROPERTY OF INDUSTRIAL SPECIALTIES MFG. AND IS MED SPECIALITES. ANY REPRODUCTION IN PART OR AS A WHOLE WITHOUT THE WRITTEN PERMISSION OF INDUSTRIAL SPECIALTIES MFG. AND IS MED SPECIALITES IS PROHIBITED.

1/4" OD Tube Push-In Serviceable Filter, Clear Polycarbonate Housing, 10 Micron Porous Polypropylene Element

NAME	DATE
M.E.	11/7/2019

PART#
PIF25-14-PP-10

REV
1

SHEET 1 OF 1

SCALE: 3:2

DO NOT SCALE DRAWING

ISM Industrial Specialties Mfg. & IS MED Specialites (ISM)
industrialspec.com | 800-781-8486