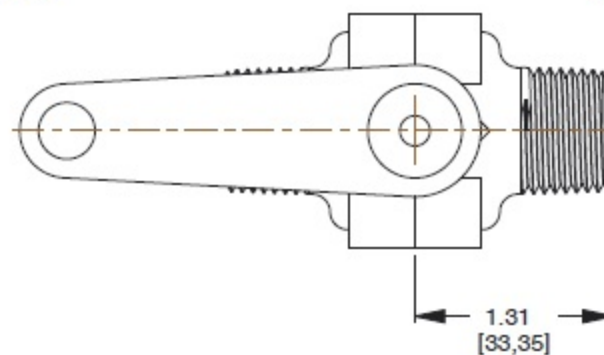


Male 1/2

Male 1/2



NOTES:

- 1. Maximum Operating Pressure : 125 psi
- 2. Maximum Operating Temperature : 140° F

PROPRIETARY AND CONFIDENTIAL

Description

THE INFORMATION CONTAINED IN THIS DRAWING IS THE SOLE PROPERTY OF INDUSTRIAL SPECIALTIES MFG. AND IS MED SPECIALTIES. ANY REPRODUCTION IN PART OR AS A WHOLE WITHOUT THE WRITTEN PERMISSION OF INDUSTRIAL SPECIALTIES MFG. AND IS MED SPECIALTIES IS PROHIBITED.

1/2" Male NPT Ball Valve, Buna-N Seals, Gray PVC

NAME	DATE
M.E.	1/18/2017

PART#	REV
PBV2-8M-BU-PVC	1

SHEET 1 OF 1



Industrial Specialties Mfg.
IS Med Specialties