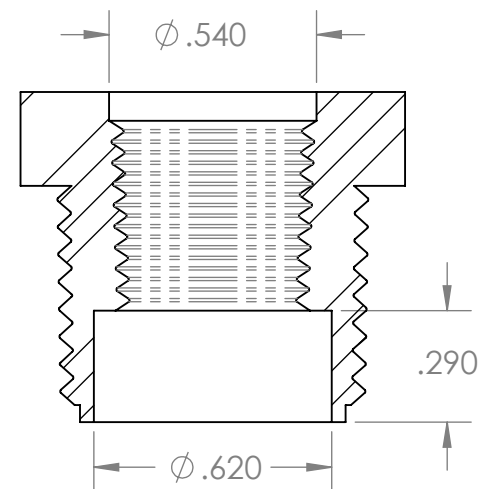
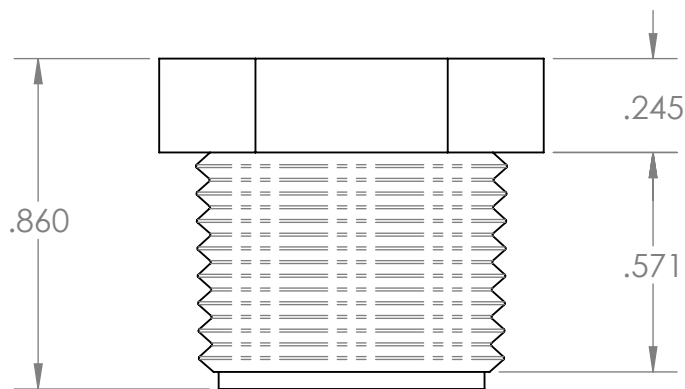


SECTION A-A



PROPRIETARY AND CONFIDENTIAL

Description

1/2" Male NPT x 1/4" Female NPT Bushing,
Black Polypropylene

THE INFORMATION CONTAINED IN THIS DRAWING IS THE SOLE PROPERTY OF INDUSTRIAL SPECIALTIES MFG. AND IS MED SPECIALITES. ANY REPRODUCTION IN PART OR AS A WHOLE WITHOUT THE WRITTEN PERMISSION OF INDUSTRIAL SPECIALTIES MFG. AND IS MED SPECIALITES IS PROHIBITED.

NAME	DATE
M.E.	7/21/2014

PART#
NC-8M4F-BPP

REV
1

SHEET 1 OF 1

SCALE: 2:1

DO NOT SCALE DRAWING



Industrial Specialties Mfg.
IS Med Specialties