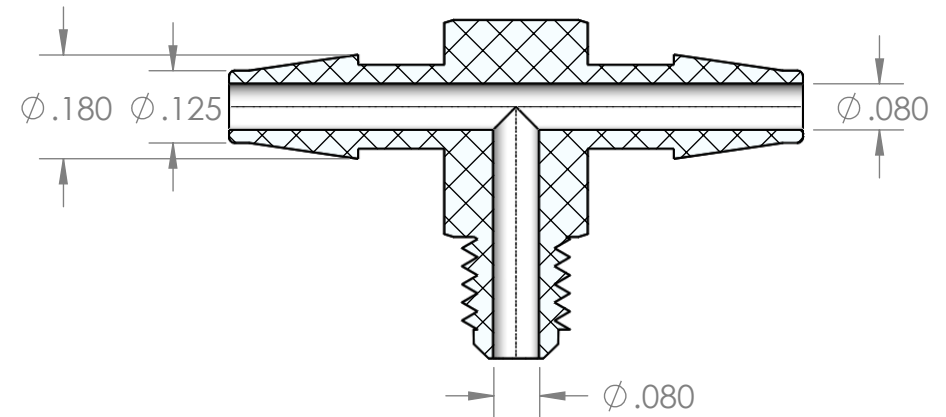


SECTION A-A



PROPRIETARY AND CONFIDENTIAL

Description

1/8" Hose Barb x 10-32 Male UNF Branch Tee,
Natural Nylon

MFR# CGD43-NR0

THE INFORMATION CONTAINED IN THIS DRAWING IS THE SOLE PROPERTY OF INDUSTRIAL SPECIALTIES MFG. AND IS MED SPECIALITES. ANY REPRODUCTION IN PART OR AS A WHOLE WITHOUT THE WRITTEN PERMISSION OF INDUSTRIAL SPECIALTIES MFG. AND IS MED SPECIALITES IS PROHIBITED.

| | |
|------|-----------|
| NAME | DATE |
| M.E. | 9/28/2016 |

| | |
|----------------|-----|
| PART# | REV |
| MTA-18-1032M-N | 1 |

SHEET 1 OF 1

SCALE: 3:1

DO NOT SCALE DRAWING



Industrial Specialties Mfg.
IS Med Specialties
 www.industrialpec.com
 800-781-8487