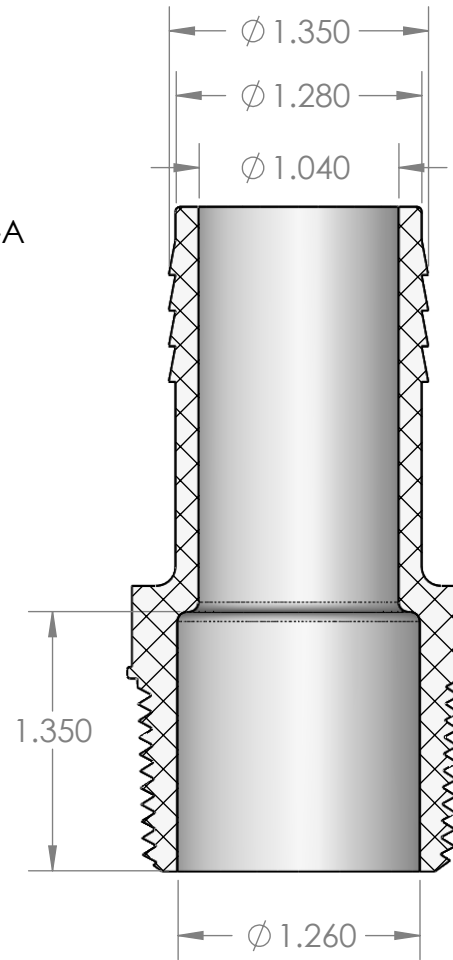
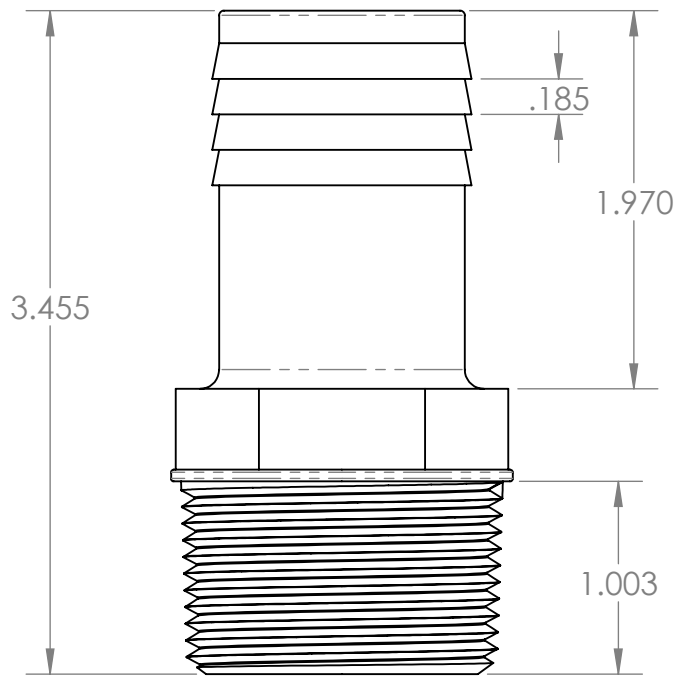
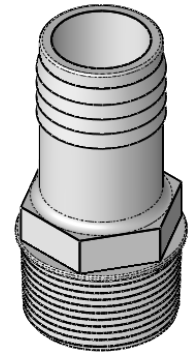


SECTION A-A



PROPRIETARY AND CONFIDENTIAL

Description

1-1/4" Hose Barb x 1-1/4" Male NPT Adapter,
Natural Nylon

THE INFORMATION CONTAINED IN THIS DRAWING IS THE SOLE PROPERTY OF INDUSTRIAL SPECIALTIES MFG. AND IS MED SPECIALITES. ANY REPRODUCTION IN PART OR AS A WHOLE WITHOUT THE WRITTEN PERMISSION OF INDUSTRIAL SPECIALTIES MFG. AND IS MED SPECIALITES IS PROHIBITED.

NAME DATE
DRAWN BY: M.E. 2/7/2019

PART#
MCB-114-20M-N

REV
1

SHEET 1 OF 1

SCALE: 1:1

DO NOT SCALE DRAWING

ISM Industrial Specialties Mfg.
& IS MED Specialties (ISM)
industrialspec.com | 800-781-8486