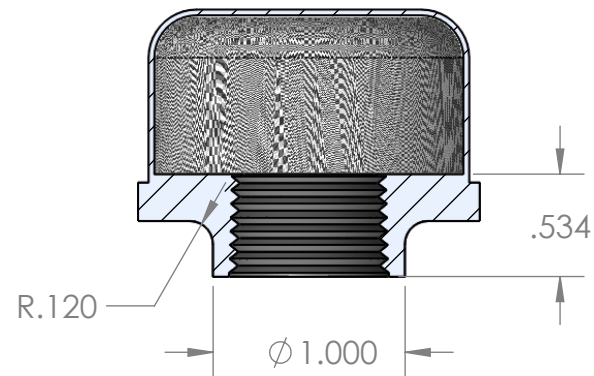
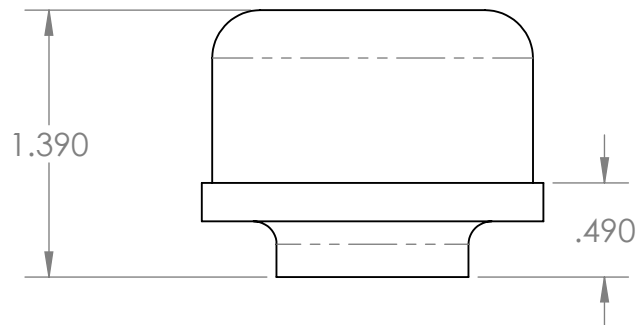


SECTION A-A



PROPRIETARY AND CONFIDENTIAL

Description

THE INFORMATION CONTAINED IN THIS DRAWING IS THE SOLE PROPERTY OF INDUSTRIAL SPECIALTIES MFG. AND IS MED SPECIALITES. ANY REPRODUCTION IN PART OR AS A WHOLE WITHOUT THE WRITTEN PERMISSION OF INDUSTRIAL SPECIALTIES MFG. AND IS MED SPECIALITES IS PROHIBITED.

1/2" Female NPT Low Profile Breather,  
40 Mesh 304 Stainless Steel Screen,  
70 durometer PVC Base

NAME	DATE
M.E.	9/24/2014

PART#  
LB-8F-40

REV  
1

SHEET 1 OF 1

SCALE: 1:1

DO NOT SCALE DRAWING



**Industrial Specialties Mfg.**  
**IS Med Specialties**