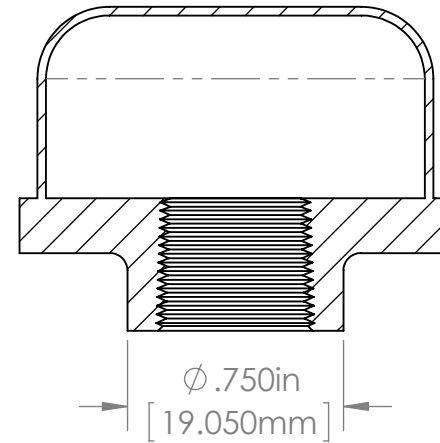
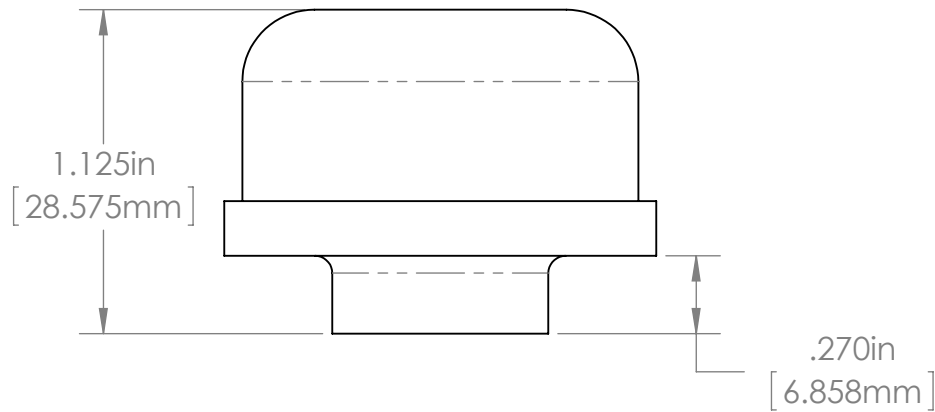


SECTION A-A  
SCALE 1.5 : 1



PROPRIETARY AND CONFIDENTIAL

Description

THE INFORMATION CONTAINED IN THIS DRAWING IS THE SOLE PROPERTY OF INDUSTRIAL SPECIALTIES MFG. AND IS MED SPECIALITES. ANY REPRODUCTION IN PART OR AS A WHOLE WITHOUT THE WRITTEN PERMISSION OF INDUSTRIAL SPECIALTIES MFG. AND IS MED SPECIALITES IS PROHIBITED.

1/4" Female NPT Low Profile Breather,  
20 Mesh 304 Stainless Steel Screen,  
70 durometer PVC Base

NAME	DATE
M.E.	6/26/2014

PART#  
LB-4F-20

REV  
1

SHEET 1 OF 1

SCALE: 3:2

DO NOT SCALE DRAWING



**Industrial Specialties Mfg.**  
**IS Med Specialties**