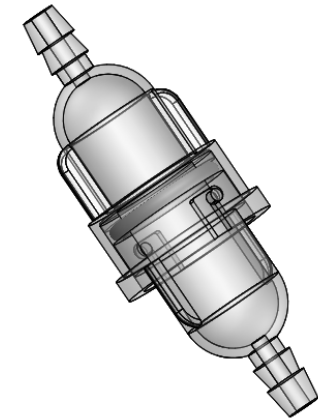
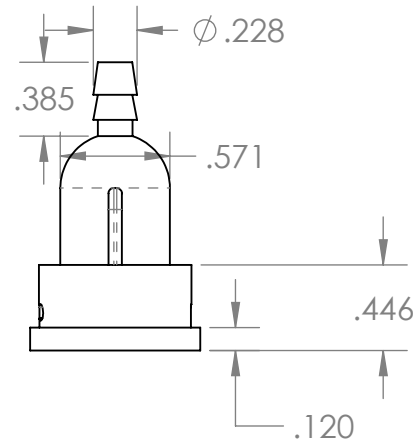
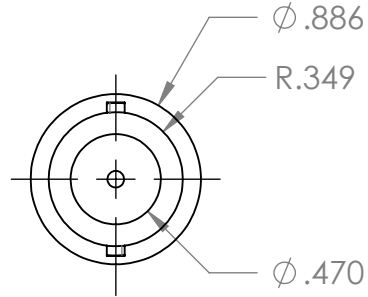
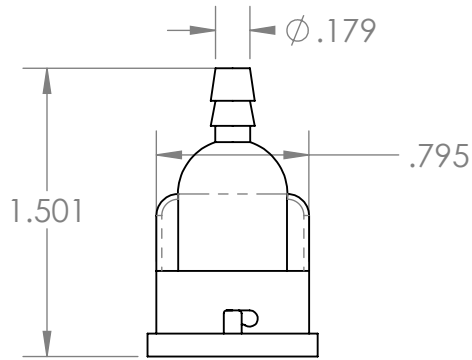
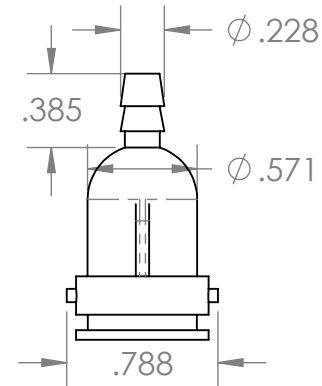
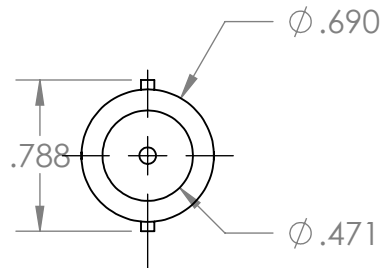
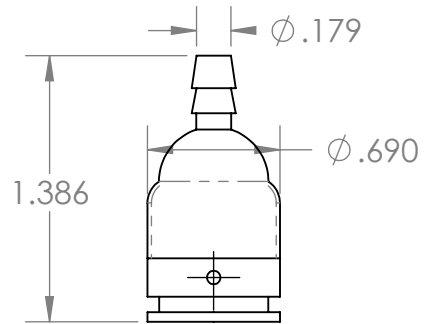


Housing Top



Housing Bottom



PROPRIETARY AND CONFIDENTIAL

THE INFORMATION CONTAINED IN THIS DRAWING IS THE SOLE PROPERTY OF INDUSTRIAL SPECIALTIES MFG. AND IS MED SPECIALITES. ANY REPRODUCTION IN PART OR AS A WHOLE WITHOUT THE WRITTEN PERMISSION OF INDUSTRIAL SPECIALTIES MFG. AND IS MED SPECIALITES IS PROHIBITED.

UNLESS OTHERWISE SPECIFIED:

DIMENSIONS ARE IN INCHES
 TOLERANCES:
 FRACTIONAL ±
 ANGULAR: MACH ± BEND ±
 TWO PLACE DECIMAL ±
 THREE PLACE DECIMAL ±

MATERIAL
 Clear Polycarbonate

FINISH

DO NOT SCALE DRAWING

	NAME	DATE
DRAWN	ME	10/7/2013
CHECKED		
ENG APPR.		
MFG APPR.		
Q.A.		

Comments:



Industrial Specialties Mfg.
IS Med Specialties

DESCRIPTION:
 1/8" Hose Barb Serviceable Filter

SIZE	PART#	REV
A	ILCF-18-NS	1

SCALE: 1:1

SHEET 1 OF 1