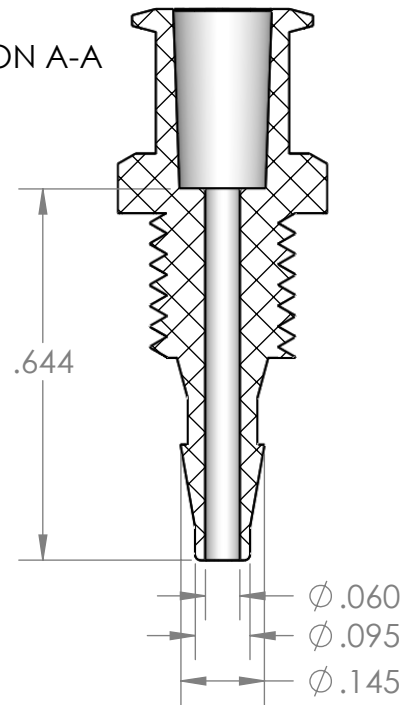


SECTION A-A



PROPRIETARY AND CONFIDENTIAL

**Description**

THE INFORMATION CONTAINED IN THIS DRAWING IS THE SOLE PROPERTY OF INDUSTRIAL SPECIALTIES MFG. AND IS MED SPECIALITES. ANY REPRODUCTION IN PART OR AS A WHOLE WITHOUT THE WRITTEN PERMISSION OF INDUSTRIAL SPECIALTIES MFG. AND IS MED SPECIALITES IS PROHIBITED.

3/32" Hose Barb x Female Luer Lug Panel Mount, 1/4-28 UNF Panel Thread, Panel Nut Included, Natural Polypropylene

MFR# LJX88-PP0

NAME	DATE
M.E.	10/4/2016

PART#	REV
ILBA-332-FLL-PP	1

SHEET 1 OF 1

SCALE: 2:1

DO NOT SCALE DRAWING



**Industrial Specialties Mfg.**  
**IS Med Specialties**  
 www.industrial-spec.com  
 800-781-8487