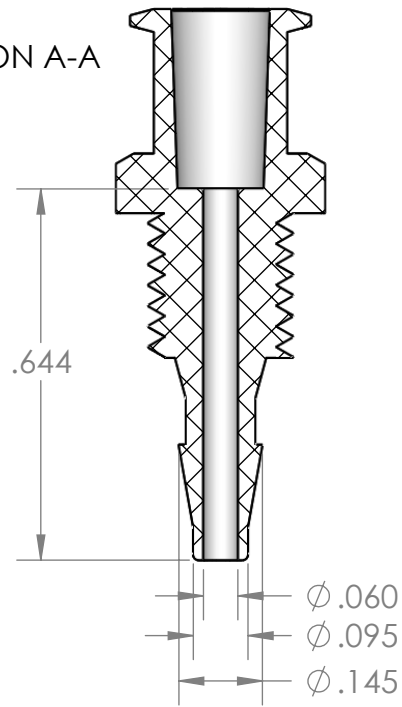


SECTION A-A



PROPRIETARY AND CONFIDENTIAL

Description

THE INFORMATION CONTAINED IN THIS DRAWING IS THE SOLE PROPERTY OF INDUSTRIAL SPECIALTIES MFG. AND IS MED SPECIALITES. ANY REPRODUCTION IN PART OR AS A WHOLE WITHOUT THE WRITTEN PERMISSION OF INDUSTRIAL SPECIALTIES MFG. AND IS MED SPECIALITES IS PROHIBITED.

3/32" Hose Barb x Female Luer Lug Panel Mount, 1/4-28 UNF Panel Thread, Panel Nut Included, Natural Nylon
MFR# LJX88-NY0

NAME	DATE
M.E.	10/4/2016
DRAWN BY:	
SHEET 1 OF 1	
SCALE: 2:1	
DO NOT SCALE DRAWING	

PART#	ILBA-332-FLL-N	REV	1
--------------	----------------	-----	---



Industrial Specialties Mfg.
IS Med Specialties
www.industrial-spec.com
800-781-8487