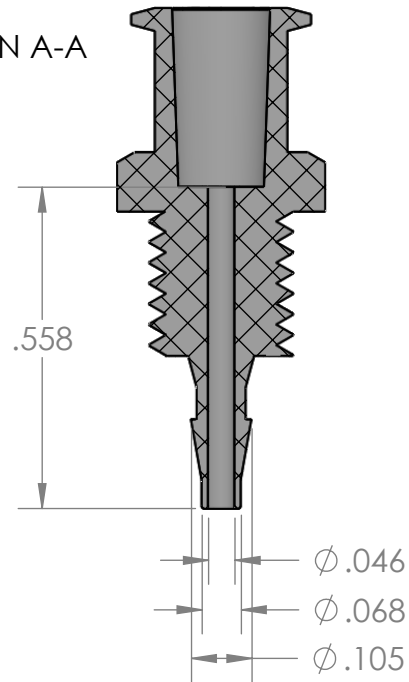


SECTION A-A



PROPRIETARY AND CONFIDENTIAL

Description

THE INFORMATION CONTAINED IN THIS DRAWING IS THE SOLE PROPERTY OF INDUSTRIAL SPECIALTIES MFG. AND IS MED SPECIALITES. ANY REPRODUCTION IN PART OR AS A WHOLE WITHOUT THE WRITTEN PERMISSION OF INDUSTRIAL SPECIALTIES MFG. AND IS MED SPECIALITES IS PROHIBITED.

1/16" Hose Barb x Female Luer Lug Panel Mount, 1/4-28 UNF Panel Thread, Panel Nut Included, Natural Nylon

MFR# LJX29-NYO

NAME DATE
DRAWN BY: M.E. 10/3/2016

PART# ILBA-116-FLL-N REV 1

SHEET 1 OF 1

SCALE: 2:1

DO NOT SCALE DRAWING



Industrial Specialties Mfg.
IS Med Specialties
www.industrialspec.com
800-781-8487