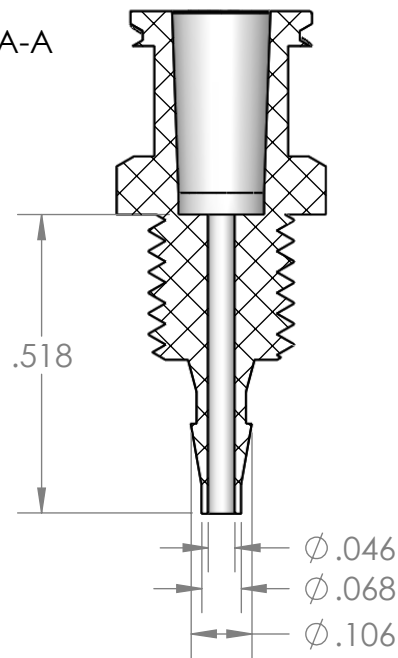


SECTION A-A



PROPRIETARY AND CONFIDENTIAL

Description

THE INFORMATION CONTAINED IN THIS DRAWING IS THE SOLE PROPERTY OF INDUSTRIAL SPECIALTIES MFG. AND IS MED SPECIALITES. ANY REPRODUCTION IN PART OR AS A WHOLE WITHOUT THE WRITTEN PERMISSION OF INDUSTRIAL SPECIALTIES MFG. AND IS MED SPECIALITES IS PROHIBITED.

1/16" Hose Barb x Female Luer Thread Panel Mount, 1/4-28 Panel Thread, Panel Nut Included, Natural Polypropylene

MFR# LJX40-PP0

NAME	DATE
M.E.	10/4/2016

PART#	REV
ILBA-116-FL-PP	1

SHEET 1 OF 1
SCALE: 2:1
DO NOT SCALE DRAWING



Industrial Specialties Mfg.
IS Med Specialties
 www.industrial-spec.com
 800-781-8487