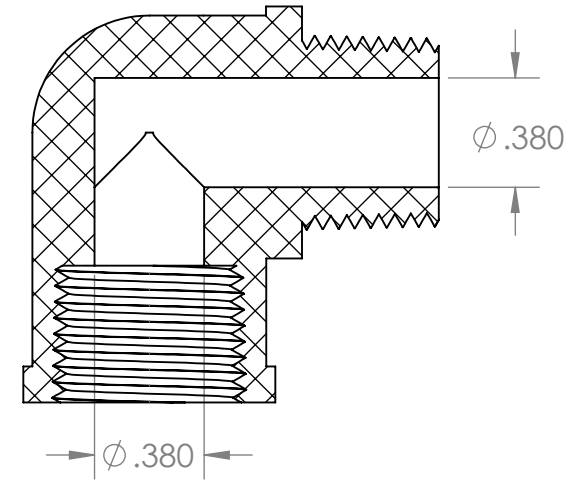
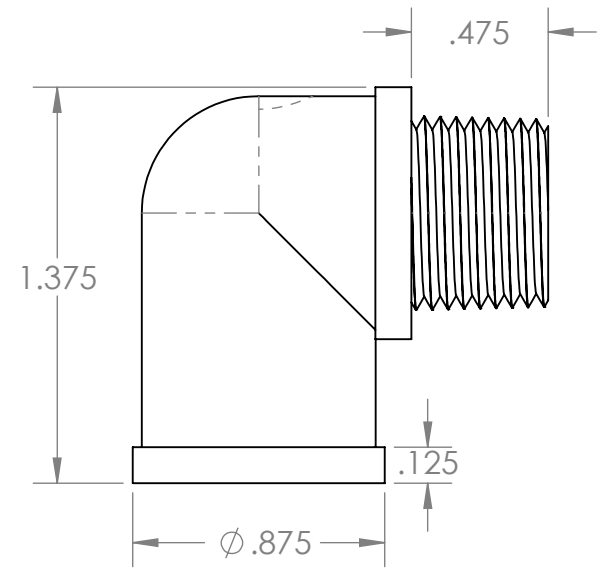


SECTION A-A



PROPRIETARY AND CONFIDENTIAL

THE INFORMATION CONTAINED IN THIS DRAWING IS THE SOLE PROPERTY OF INDUSTRIAL SPECIALTIES MFG. AND IS MED SPECIALITES. ANY REPRODUCTION IN PART OR AS A WHOLE WITHOUT THE WRITTEN PERMISSION OF INDUSTRIAL SPECIALTIES MFG. AND IS MED SPECIALITES IS PROHIBITED.

Description

3/8" Male NPT x 3/8" Female NPT Elbow,
Natural Nylon

MFR# GCX82-NR0

NAME	DATE
M.E.	9/30/2016
DRAWN BY:	
SHEET 1 OF 1	
SCALE: 3:2	
DO NOT SCALE DRAWING	

PART#	REV
FM-6MF-N	1
 Industrial Specialties Mfg. IS Med Specialties www.industrial-spec.com 800-781-8487	