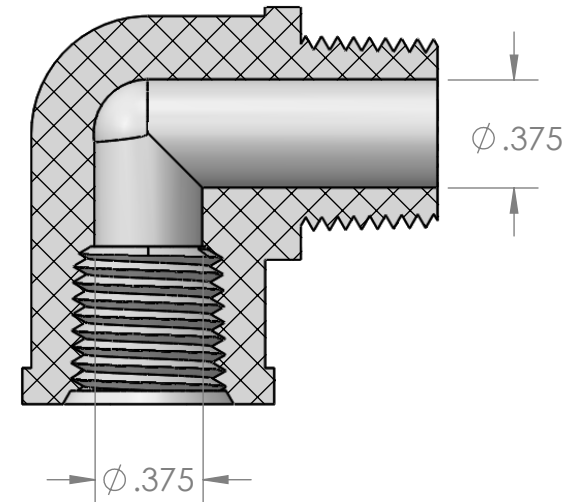


SECTION A-A



PROPRIETARY AND CONFIDENTIAL

Description

THE INFORMATION CONTAINED IN THIS DRAWING IS THE SOLE PROPERTY OF INDUSTRIAL SPECIALTIES MFG. AND IS MED SPECIALITES. ANY REPRODUCTION IN PART OR AS A WHOLE WITHOUT THE WRITTEN PERMISSION OF INDUSTRIAL SPECIALTIES MFG. AND IS MED SPECIALITES IS PROHIBITED.

3/8" Male NPT x 1/4" Female NPT Elbow,
Natural Nylon

MFR# GCX75-NR0

| | |
|------|-----------|
| NAME | DATE |
| M.E. | 9/30/2016 |

PART#
FM-6M4F-N

REV
1

SHEET 1 OF 1

SCALE: 3:2

DO NOT SCALE DRAWING



Industrial Specialties Mfg.

IS Med Specialties

www.industrialspec.com
800-781-8487