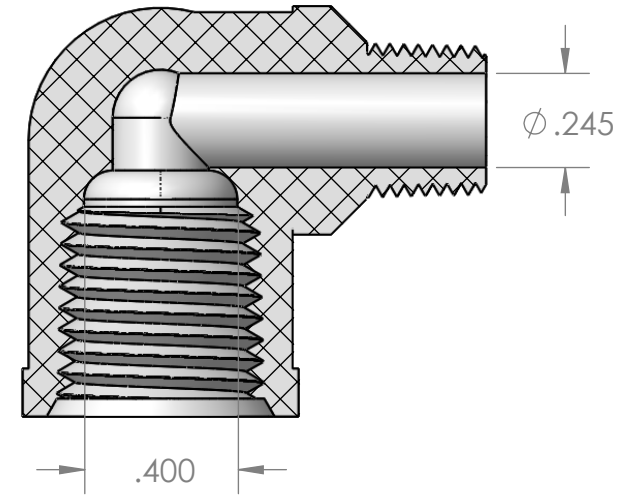


SECTION A-A



**PROPRIETARY AND CONFIDENTIAL**

THE INFORMATION CONTAINED IN THIS DRAWING IS THE SOLE PROPERTY OF INDUSTRIAL SPECIALTIES MFG. AND IS MED SPECIALITES. ANY REPRODUCTION IN PART OR AS A WHOLE WITHOUT THE WRITTEN PERMISSION OF INDUSTRIAL SPECIALTIES MFG. AND IS MED SPECIALITES IS PROHIBITED.

**Description**

1/8" Male NPT x 1/4" Female NPT Elbow,  
Natural Nylon

MFR# GCX71-NR0

NAME	DATE
M.E.	9/30/2016
DRAWN BY:	
SHEET 1 OF 1	
SCALE: 2:1	
DO NOT SCALE DRAWING	

**PART#** FM-2M4F-N

REV 1



**Industrial Specialties Mfg.**  
**IS Med Specialties**  
 www.industrial-spec.com  
 800-781-8487