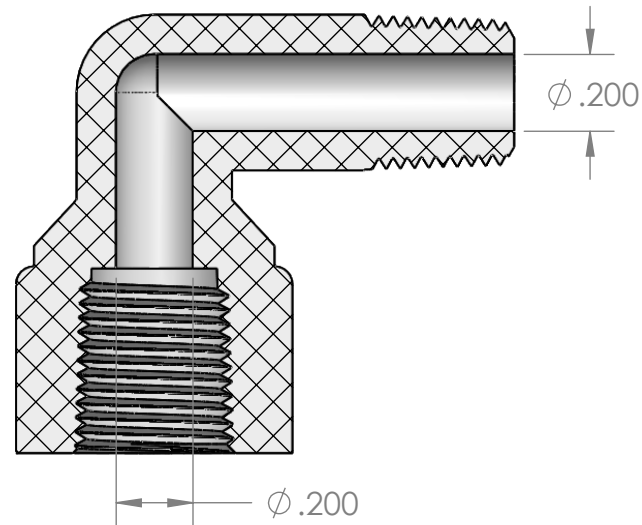


SECTION A-A



PROPRIETARY AND CONFIDENTIAL

Description

THE INFORMATION CONTAINED IN THIS DRAWING IS THE SOLE PROPERTY OF INDUSTRIAL SPECIALTIES MFG. AND IS MED SPECIALITES. ANY REPRODUCTION IN PART OR AS A WHOLE WITHOUT THE WRITTEN PERMISSION OF INDUSTRIAL SPECIALTIES MFG. AND IS MED SPECIALITES IS PROHIBITED.

1/8" Male NPT x 1/8" Female NPT Elbow,
Natural Nylon

NAME	DATE
M.E.	2/22/2017

SHEET 1 OF 1

SCALE: 2:1

DO NOT SCALE DRAWING

PART#
FMA-2MF-N

REV
1



Industrial Specialties Mfg.

IS Med Specialties

www.industrialpec.com
800-781-8487