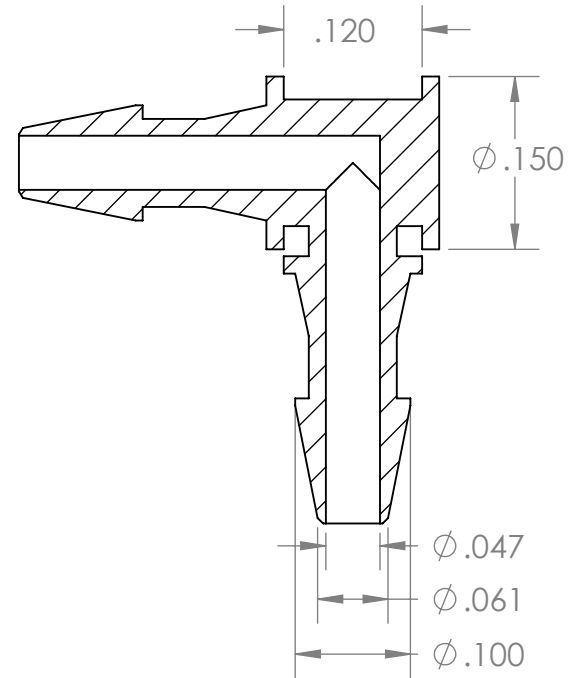
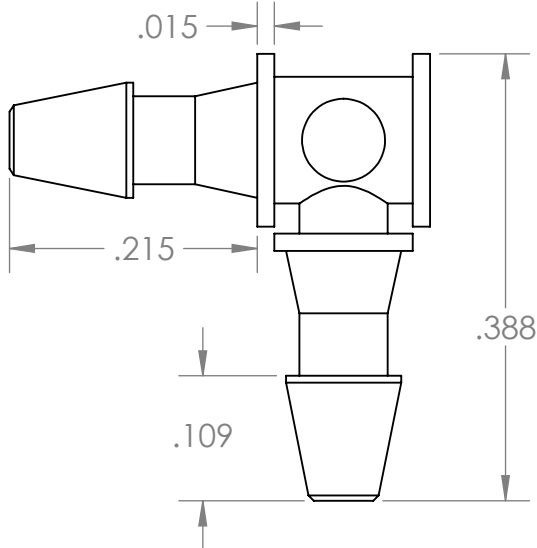


SECTION A-A
SCALE 6 : 1



PROPRIETARY AND CONFIDENTIAL

THE INFORMATION CONTAINED IN THIS DRAWING IS THE SOLE PROPERTY OF INDUSTRIAL SPECIALTIES MFG. AND IS MED SPECIALITES. ANY REPRODUCTION IN PART OR AS A WHOLE WITHOUT THE WRITTEN PERMISSION OF INDUSTRIAL SPECIALTIES MFG. AND IS MED SPECIALITES IS PROHIBITED.

UNLESS OTHERWISE SPECIFIED:

DIMENSIONS ARE IN INCHES
TOLERANCES:
FRACTIONAL \pm
ANGULAR: MACH \pm BEND \pm
TWO PLACE DECIMAL \pm
THREE PLACE DECIMAL \pm

MATERIAL
Natural Polypropylene

FINISH

DO NOT SCALE DRAWING

NAME	DATE
DRAWN ME	10/18/13
CHECKED	
ENG APPR.	
MFG APPR.	
Q.A.	

Comments:



Industrial Specialties Mfg.

IS Med Specialties

DESCRIPTION:

1/16" Hose Barb Elbow

SIZE
A

PART#
EUBJ-116-PP

REV
1

SCALE: 6:1

SHEET 1 OF 1