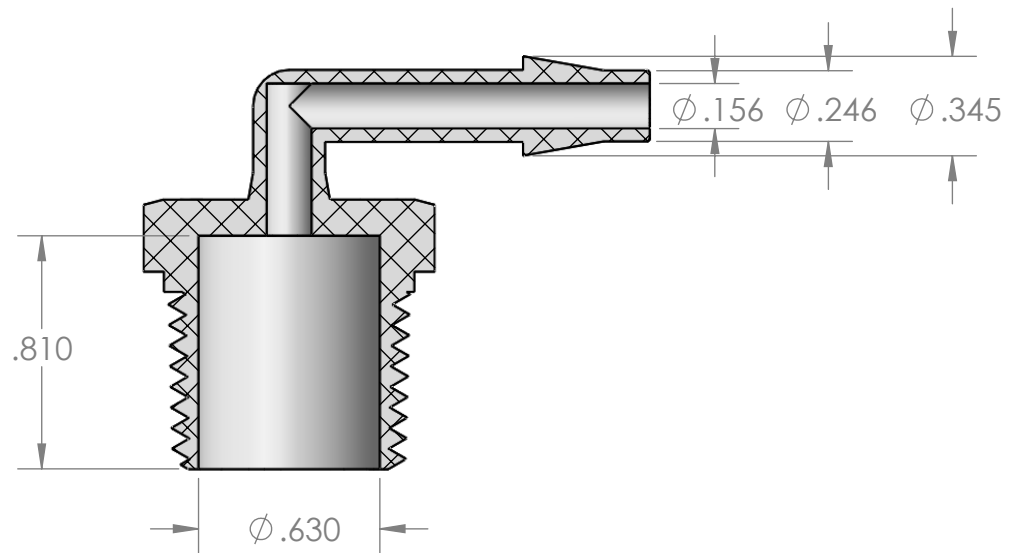
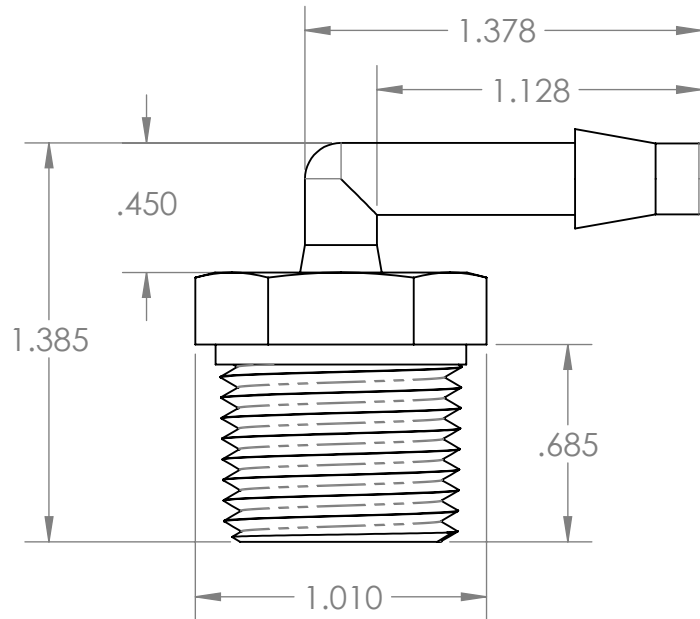


SECTION A-A



PROPRIETARY AND CONFIDENTIAL

Description

1/4" Hose Barb x 1/2" Male NPT Elbow,
Natural Nylon

MFR# CGC12-NR0

THE INFORMATION CONTAINED IN THIS DRAWING IS THE SOLE PROPERTY OF INDUSTRIAL SPECIALTIES MFG. AND IS MED SPECIALITES. ANY REPRODUCTION IN PART OR AS A WHOLE WITHOUT THE WRITTEN PERMISSION OF INDUSTRIAL SPECIALTIES MFG. AND IS MED SPECIALITES IS PROHIBITED.

NAME DATE
DRAWN BY: M.E. 9/2/2016

PART#

EMA-14-8M-N

REV
1

SHEET 1 OF 1

SCALE: 1.5:1

DO NOT SCALE DRAWING



Industrial Specialties Mfg.

IS Med Specialties

www.industrial-spec.com
800-781-8487