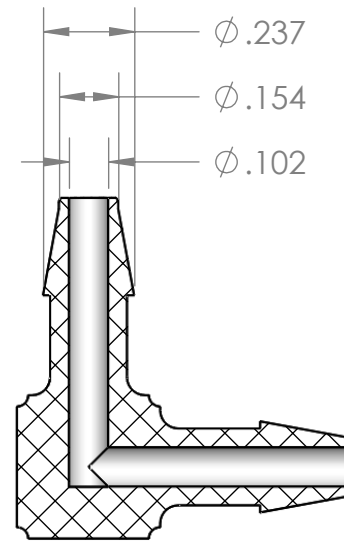


SECTION A-A



PROPRIETARY AND CONFIDENTIAL

**Description**

5/32" Hose Barb Elbow, Precision Molded,  
Natural Kynar

MFR# MCX19-DF0

THE INFORMATION CONTAINED IN THIS DRAWING IS THE SOLE PROPERTY OF INDUSTRIAL SPECIALTIES MFG. AND IS MED SPECIALITES. ANY REPRODUCTION IN PART OR AS A WHOLE WITHOUT THE WRITTEN PERMISSION OF INDUSTRIAL SPECIALTIES MFG. AND IS MED SPECIALITES IS PROHIBITED.

NAME	DATE
M.E.	12/27/2016

**PART#**  
EBAPM-532-K

REV  
1

SHEET 1 OF 1

SCALE: 2:1

DO NOT SCALE DRAWING



**Industrial Specialties Mfg.**

**IS Med Specialties**

www.industrialpec.com  
800-781-8487