



# Industrial Specialties Mfg.

An ISO 9001:2008 Certified Company

4091 S. Eliot St., Englewood, CO 80110-4396 • 303-781-8486 FAX: 303-761-7939 • www.industrialspec.com

## CVPPV-18

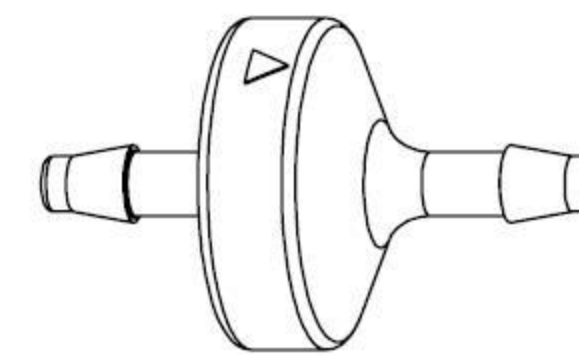
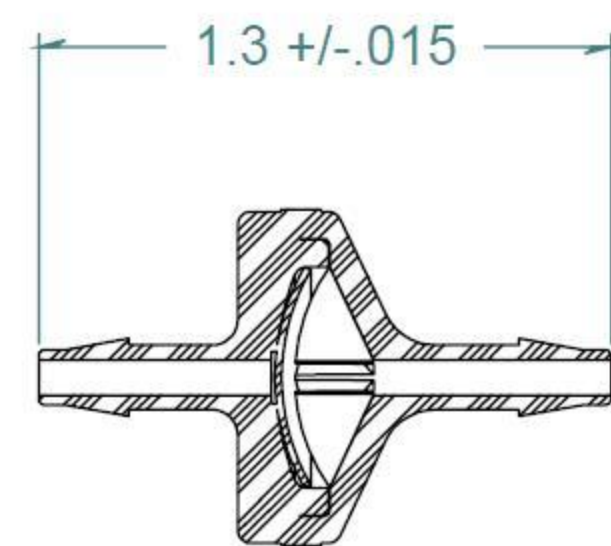
**1/8" Hose Barb**  
**Viton Diaphragm**  
**Polypropylene Body**

### Specifications

0.2 psi (6" H<sub>2</sub>O) Cracking Pressure

Designed for low pressure applications, up to 100 psi

SECTION A-A



DIMENSIONS ARE IN INCHES UNLESS SPECIFIED. TOLERANCES ARE:  
FRACTIONS +/- .015  
2 PLACE DECIMAL +/- .010  
3 PLACE DECIMAL +/- .005  
ANGLES NOTED

