



# INDUSTRIAL SPECIALTIES MFG.

4091 S. Eliot St., Englewood, CO 80110-4396 • 303-781-8486 FAX: 303-761-7939 • www.industrialspec.com

## CVNSI-38

3/8" Hose Barb  
Silicone Diaphragm  
Nylon Body

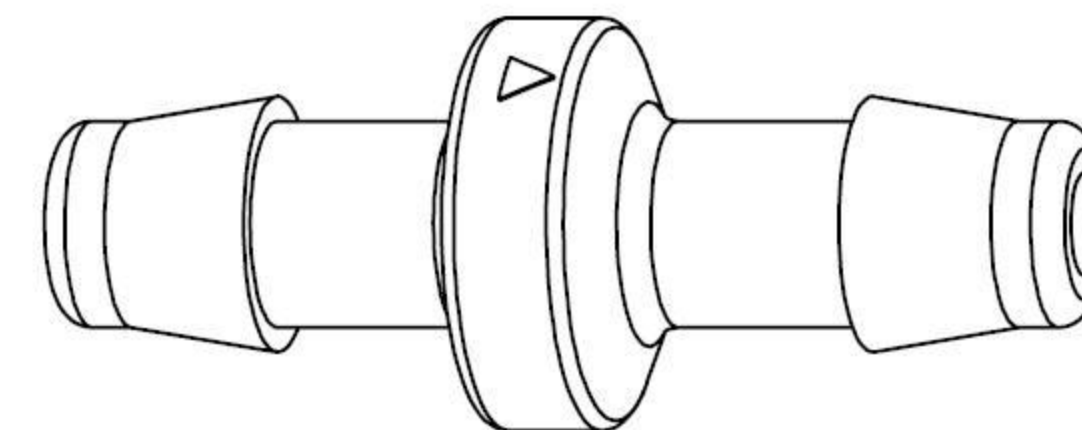
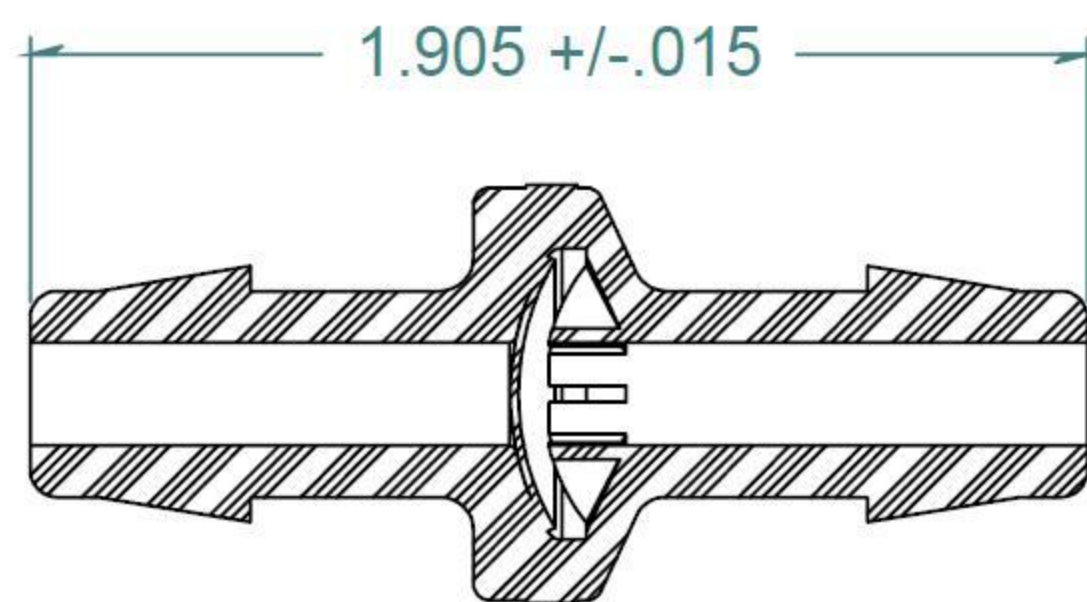
DIMENSIONS ARE IN INCHES UNLESS SPECIFIED. TOLERANCES ARE:	
FRACTIONS	+/- .015
2 PLACE DECIMAL	+/- .010
3 PLACE DECIMAL	+/- .005
ANGLES	NOTED

Cracking Pressure = 6" H<sub>2</sub>O

Application Range = 1 to 150 psi

All Materials used for this valve are FDA Approved.

SECTION A-A



FLOW →

